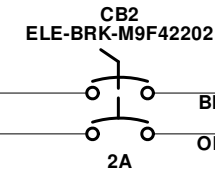
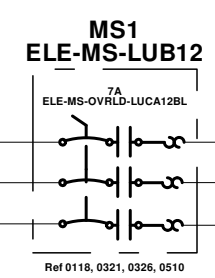
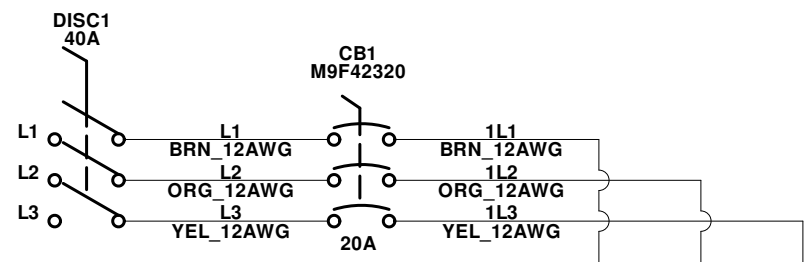
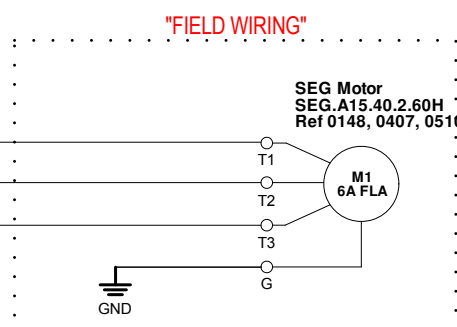
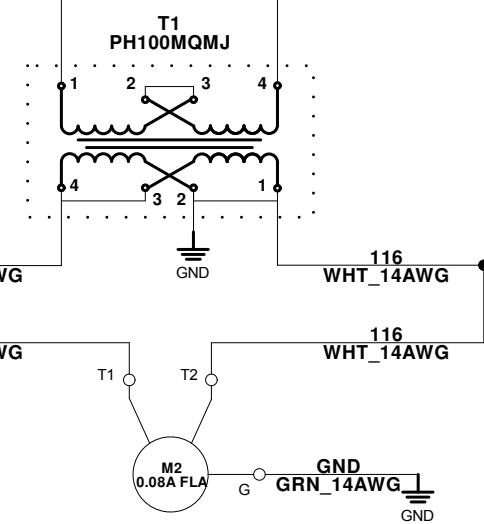


01  
02  
03  
04  
05  
06  
07  
08  
09  
10  
11  
12  
13  
14  
15  
16  
17  
18  
19  
20  
21  
22  
23  
24  
25  
26  
27  
28  
29  
30  
31  
32  
33  
34

35  
36  
37  
38  
39  
40  
41  
42  
43  
44  
45  
46  
47  
48  
49  
50  
51  
52  
53  
54  
55  
56  
57  
58  
59  
60  
61  
62  
63  
64  
65  
66  
67  
68



Note:  
Add supplied Jumper Links to:  
Primary side terminals 2-3  
Secondary side terminals 3-4, 1-2



To 0204  
To 0238

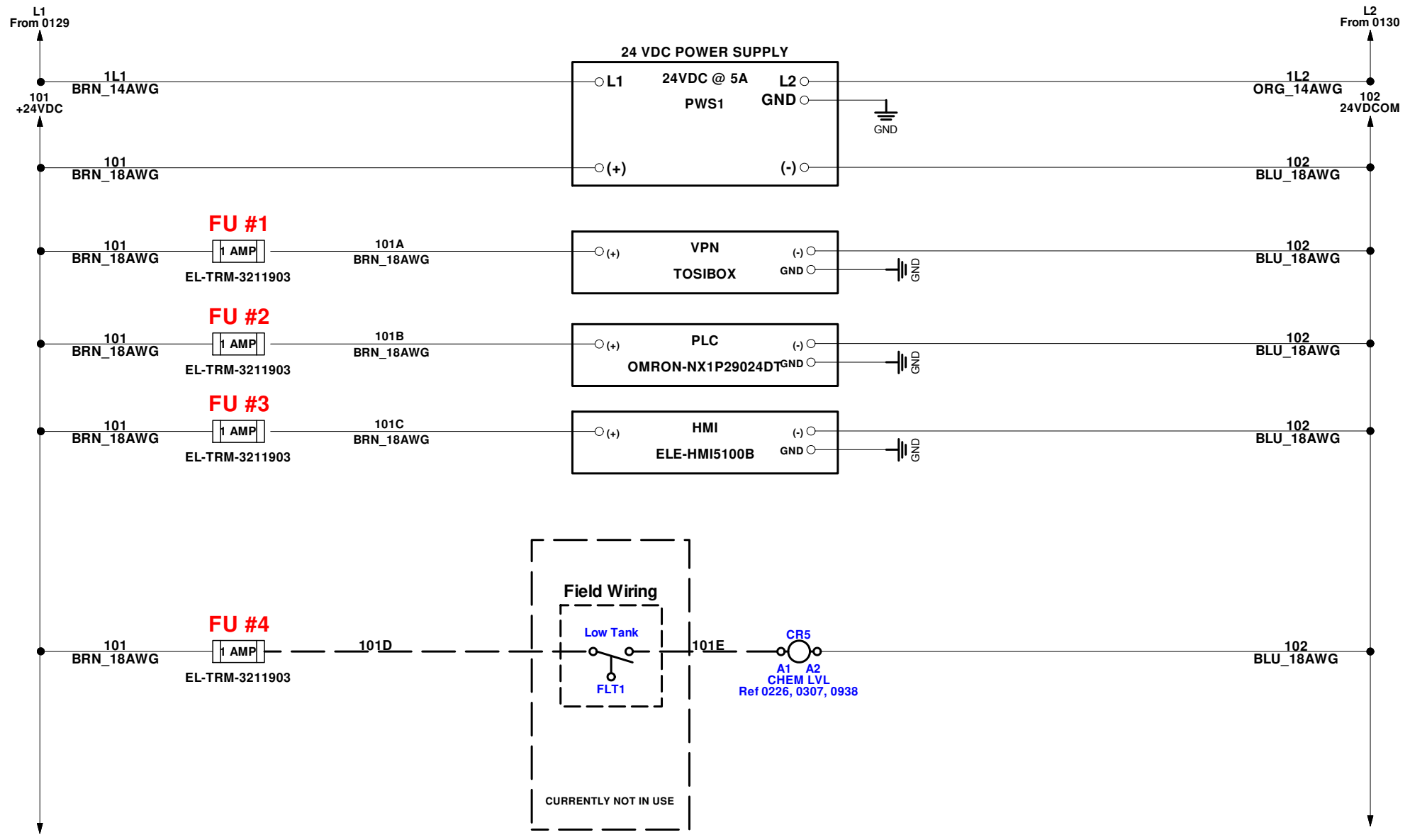
02	GT	Drawing released	10/21/22
01	CJH	Drawing released	7/21/22

REV	BY	DESCRIPTION	DATE
02	GT	Drawing released	10/21/22
01	CJH	Drawing released	7/21/22

THIS DRAWING IS THE PROPERTY OF <b>INNOVATE IT</b>		APPROVALS	DATE	INNOVATE IT CAR WASH EQUIPMENT	
THIS DRAWING MUST NOT BE COPIED WITHOUT EXPRESS WRITTEN PERMISSION OF INNOVATE IT CAR WASH EQUIPMENT.		DRAWN CJH	7/21/22	PROJECT: Reclaim System	
DESIGN RIGHT ALL DESIGN RIGHTS RECORDED IN THIS DESIGN DOCUMENT ARE THE PROPERTY OF INNOVATE IT CAR WASH EQUIPMENT. THE DESIGN MUST NOT BE REPRODUCED WITHOUT EXPRESS WRITTEN PERMISSION OF INNOVATE IT CAR WASH EQUIPMENT.		CHKD		TITLE: AC Power Distribution	
CONFIDENTIALITY THIS DRAWING MUST NOT BE DISCLOSED TO ANY THIRD PARTY WITHOUT THE EXPRESS WRITTEN PERMISSION OF INNOVATE IT CAR WASH EQUIPMENT.		APPRVD		DRAWING NO: Reclaim System R2	
DO NOT SCALE DWG.		ENG. INFO		SIZE:	SCALE: NONE
				SHEET: PAGE 1 OF 9	REV: 02

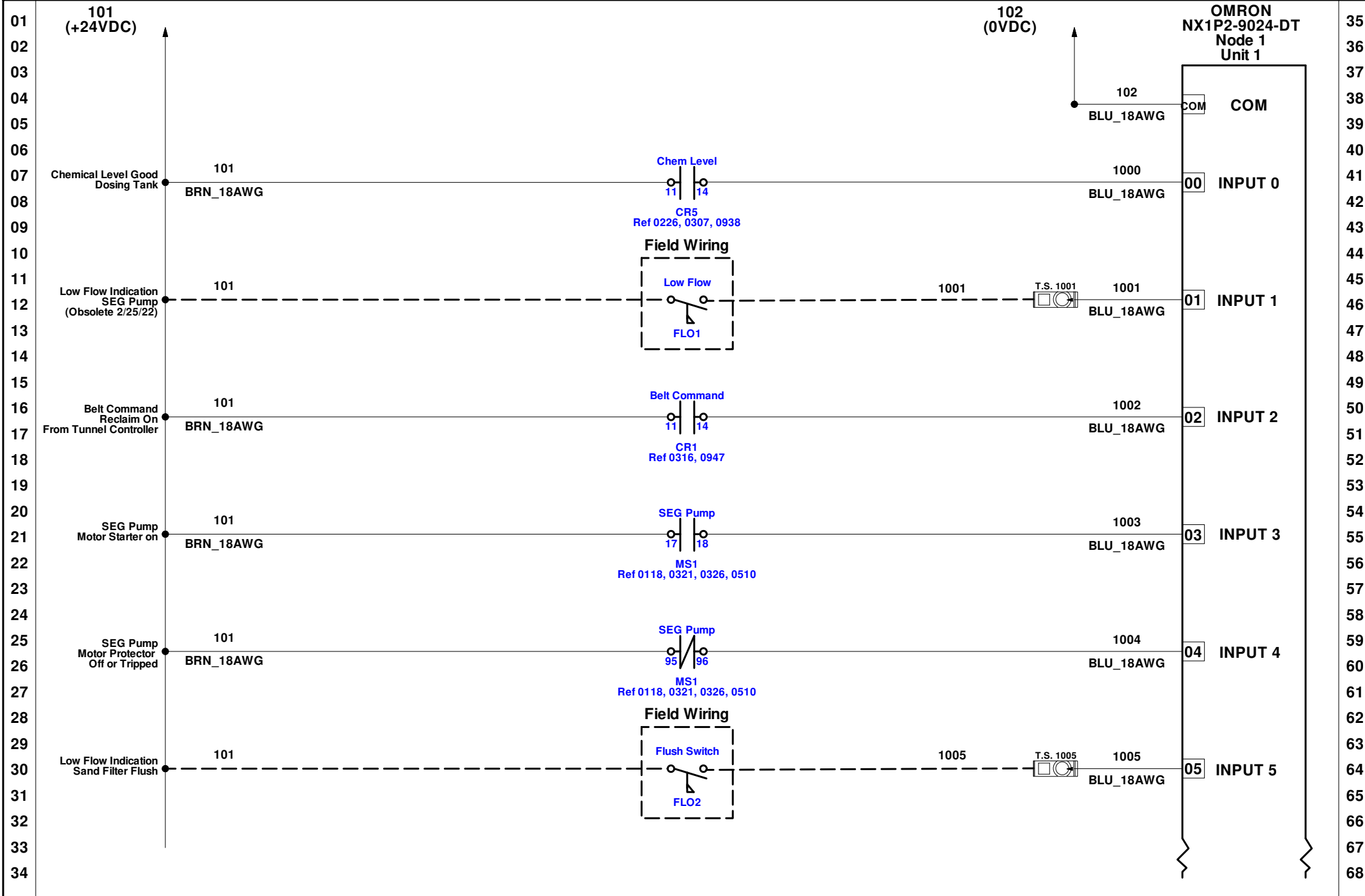
01  
02  
03  
04  
05  
06  
07  
08  
09  
10  
11  
12  
13  
14  
15  
16  
17  
18  
19  
20  
21  
22  
23  
24  
25  
26  
27  
28  
29  
30  
31  
32  
33  
34

35  
36  
37  
38  
39  
40  
41  
42  
43  
44  
45  
46  
47  
48  
49  
50  
51  
52  
53  
54  
55  
56  
57  
58  
59  
60  
61  
62  
63  
64  
65  
66  
67  
68



REV	BY	DESCRIPTION	DATE
02	GT	Drawing released	10/21/22
01	CJH	Drawing released	7/21/22

THIS DRAWING IS THE PROPERTY OF <b>INNOVATE IT</b>		APPROVALS	DATE	INNOVATE IT CAR WASH EQUIPMENT	
THIS DRAWING MUST NOT BE COPIED WITHOUT EXPRESS WRITTEN PERMISSION OF INNOVATE IT CAR WASH EQUIPMENT.		DRAWN CJH	7/21/22	PROJECT: Reclaim System	
DESIGN RIGHT ALL DESIGN RIGHTS RECORDED IN THIS DESIGN DOCUMENT ARE THE PROPERTY OF INNOVATE IT CAR WASH EQUIPMENT. THE DESIGN MUST NOT BE REPRODUCED WITHOUT EXPRESS WRITTEN PERMISSION OF INNOVATE IT CAR WASH EQUIPMENT.		CHKD		TITLE: AC / DC Power Distribution	
CONFIDENTIALITY THIS DRAWING MUST NOT BE DISCLOSED TO ANY THIRD PARTY WITHOUT THE EXPRESS WRITTEN PERMISSION OF INNOVATE IT CAR WASH EQUIPMENT.		APPRVD		DRAWING NO: Reclaim System R2	
DO NOT SCALE DWG.		ENG. INFO	XXXX	SIZE:	SCALE: NONE
				SHEET: PAGE 2 OF 9	REV: 02



02	GT	Drawing released	10/21/22
01	CJH	Drawing released	7/21/22
REV	BY	DESCRIPTION	DATE

THIS DRAWING IS THE PROPERTY OF  
 INNOVATE IT  
 THIS DRAWING MUST NOT BE COPIED WITHOUT EXPRESS WRITTEN PERMISSION OF INNOVATE IT CAR WASH EQUIPMENT.  
 DESIGN RIGHT  
 ALL DESIGN RIGHTS RECORDED IN THIS DESIGN DOCUMENT ARE THE PROPERTY OF INNOVATE IT CAR WASH EQUIPMENT. THE DESIGN MUST NOT BE REPRODUCED WITHOUT EXPRESS WRITTEN PERMISSION OF INNOVATE IT CAR WASH EQUIPMENT.  
 CONFIDENTIALITY  
 THIS DRAWING MUST NOT BE DISCLOSED TO ANY THIRD PARTY WITHOUT THE EXPRESS WRITTEN PERMISSION OF INNOVATE IT CAR WASH EQUIPMENT.

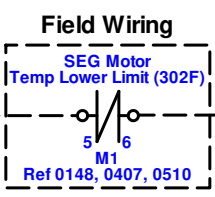
APPROVALS	DATE	INNOVATE IT CAR WASH EQUIPMENT
DRAWN CJH	7/21/22	
CHKD		PROJECT: Reclaim System
APPRVD		TITLE: PLC Node 1, Unit 0, Inputs 0-5
ENG. INFO	XXXX	DRAWING NO: Reclaim System R2
DO NOT SCALE DWG.	SIZE:	SCALE: NONE
		SHEET: PAGE 3 OF 9
		REV: 02

01  
02  
03  
04  
05  
06  
07  
08  
09  
10  
11  
12  
13  
14  
15  
16  
17  
18  
19  
20  
21  
22  
23  
24  
25  
26  
27  
28  
29  
30  
31  
32  
33  
34

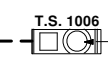
101  
(+24VDC)

SEG Motor  
Temp OK (302F)

101

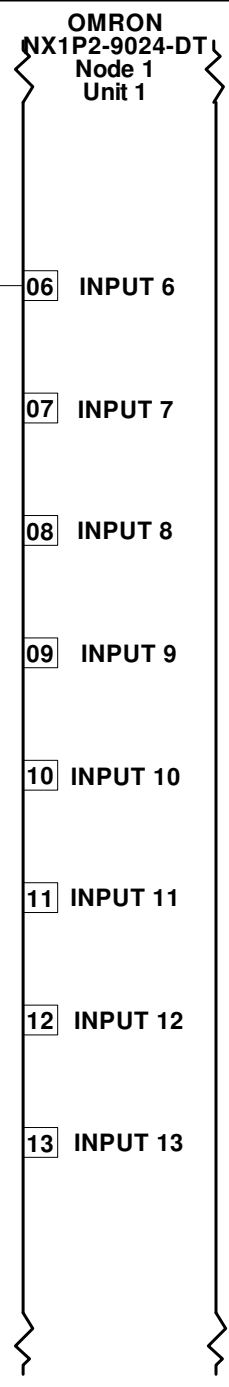


1006



1006

BLU\_18AWG

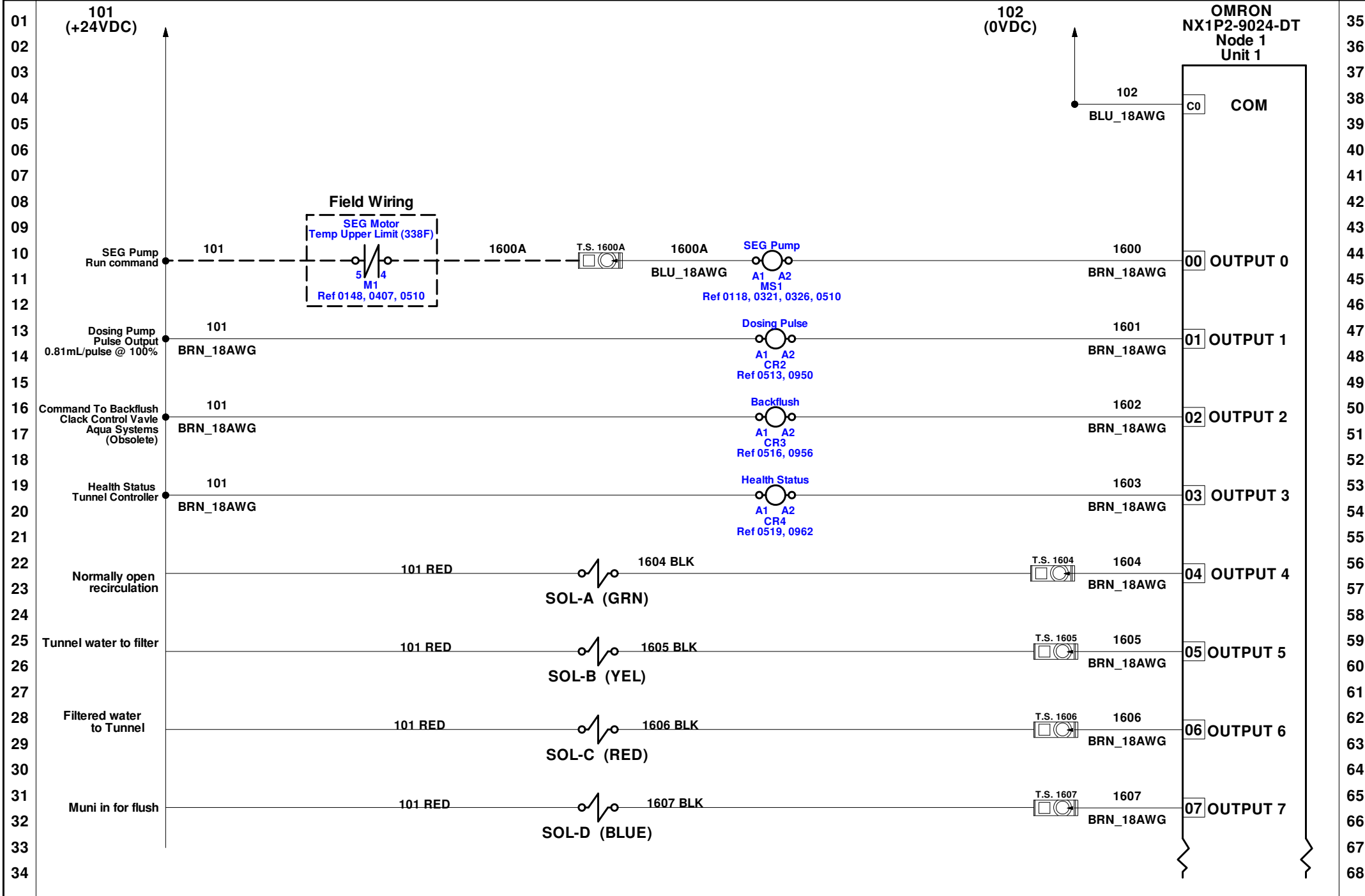


35  
36  
37  
38  
39  
40  
41  
42  
43  
44  
45  
46  
47  
48  
49  
50  
51  
52  
53  
54  
55  
56  
57  
58  
59  
60  
61  
62  
63  
64  
65  
66  
67  
68

--	--	--	--

REV	BY	DESCRIPTION	DATE
02	GT	Drawing released	10/21/22
01	CJH	Drawing released	7/21/22

THIS DRAWING IS THE PROPERTY OF <b>INNOVATE IT</b>		APPROVALS	DATE	INNOVATE IT CAR WASH EQUIPMENT	
THIS DRAWING MUST NOT BE COPIED WITHOUT EXPRESS WRITTEN PERMISSION OF INNOVATE IT CAR WASH EQUIPMENT. <b>DESIGN RIGHT</b> ALL DESIGN RIGHTS RECORDED IN THIS DESIGN DOCUMENT ARE THE PROPERTY OF INNOVATE IT CAR WASH EQUIPMENT. THE DESIGN MUST NOT BE REPRODUCED WITHOUT EXPRESS WRITTEN PERMISSION OF INNOVATE IT CAR WASH EQUIPMENT. <b>CONFIDENTIALITY</b> THIS DRAWING MUST NOT BE DISCLOSED TO ANY THIRD PARTY WITHOUT THE EXPRESS WRITTEN PERMISSION OF INNOVATE IT CAR WASH EQUIPMENT.		DRAWN	CJH	7/21/22	PROJECT:
		CHKD			Reclaim System
		APPRVD			TITLE:
		ENG. INFO	XXXX		PLC Node 1, Unit 0, Inputs 6-13
				DRAWING NO:	Reclaim System R2
		DO NOT SCALE DWG.	SIZE:	SCALE:	NONE
			SHEET:	PAGE 4 OF 9	REV:
					02



REV	BY	DESCRIPTION	DATE
02	BT	Drawing released	10/21/22
01	CJH	Drawing released	7/21/22

THIS DRAWING IS THE PROPERTY OF		APPROVALS	DATE	INNOVATE IT CAR WASH EQUIPMENT	
		DRAWN	CJH	7/21/22	PROJECT: Reclaim System
		CHKD	BT	11/11/2022	
THIS DRAWING MUST NOT BE COPIED WITHOUT EXPRESS WRITTEN PERMISSION OF INNOVATE IT CAR WASH EQUIPMENT.		APPRVD			TITLE: PLC Node 1, Unit 0, Outputs 0-7
ALL DESIGN RIGHTS RECORDED IN THIS DESIGN DOCUMENT ARE THE PROPERTY OF INNOVATE IT CAR WASH EQUIPMENT. THE DESIGN MUST NOT BE REPRODUCED WITHOUT EXPRESS WRITTEN PERMISSION OF INNOVATE IT CAR WASH EQUIPMENT.		ENG. INFO	XXXX		DRAWING NO: Reclaim System R2
CONFIDENTIALITY THIS DRAWING MUST NOT BE DISCLOSED TO ANY THIRD PARTY WITHOUT THE EXPRESS WRITTEN PERMISSION OF INNOVATE IT CAR WASH EQUIPMENT.		DO NOT SCALE DWG.	SIZE:	SCALE: NONE	SHEET: PAGE 5 OF 9
					REV: 03

01  
02  
03  
04  
05  
06  
07  
08  
09  
10  
11  
12  
13  
14  
15  
16  
17  
18  
19  
20  
21  
22  
23  
24  
25  
26  
27  
28  
29  
30  
31  
32  
33  
34

101  
(+24VDC)

Flush water to drain

Spare

Spare

Spare

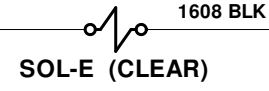
Spare

Spare

Spare

Spare

101 RED



1608 BLK



1608

BRN\_18AWG

08 OUTPUT 8

09 OUTPUT 9

10 OUTPUT 10

11 OUTPUT 11

12 OUTPUT 12

13 OUTPUT 13

14 OUTPUT 14

15 OUTPUT 15

OMRON  
NX1P2-9024-DT  
Node 1  
Unit 1

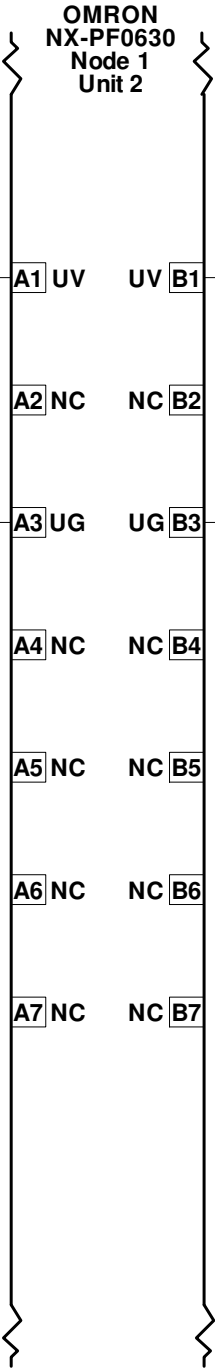
35  
36  
37  
38  
39  
40  
41  
42  
43  
44  
45  
46  
47  
48  
49  
50  
51  
52  
53  
54  
55  
56  
57  
58  
59  
60  
61  
62  
63  
64  
65  
66  
67  
68

--	--	--	--

REV	BY	DESCRIPTION	DATE
02	BT	Drawing released	10/21/22
01	CJH	Drawing released	7/21/22

THIS DRAWING IS THE PROPERTY OF <b>INNOVATE IT</b>		APPROVALS	DATE	INNOVATE IT CAR WASH EQUIPMENT	
THIS DRAWING MUST NOT BE COPIED WITHOUT EXPRESS WRITTEN PERMISSION OF INNOVATE IT CAR WASH EQUIPMENT. DESIGN RIGHT ALL DESIGN RIGHTS RECORDED IN THIS DESIGN DOCUMENT ARE THE PROPERTY OF INNOVATE IT CAR WASH EQUIPMENT. THE DESIGN MUST NOT BE REPRODUCED WITHOUT EXPRESS WRITTEN PERMISSION OF INNOVATE IT CAR WASH EQUIPMENT. CONFIDENTIALITY THIS DRAWING MUST NOT BE DISCLOSED TO ANY THIRD PARTY WITHOUT THE EXPRESS WRITTEN PERMISSION OF INNOVATE IT CAR WASH EQUIPMENT.		DRAWN	CJH	7/21/22	PROJECT: Reclaim System
		CHKD	BT	11/11/2022	TITLE: PLC Node 1, Unit 0, Outputs 8-15
		APPRVD			DRAWING NO: Reclaim System R2
		ENG. INFO	XXXX		
		DO NOT SCALE DWG.		SIZE:	SCALE: NONE
				SHEET: PAGE 6 OF 9	REV: 03

01  
02  
03  
04  
05  
06  
07  
08  
09  
10  
11  
12  
13  
14  
15  
16  
17  
18  
19  
20  
21  
22  
23  
24  
25  
26  
27  
28  
29  
30  
31  
32  
33  
34




35  
36  
37  
38  
39  
40  
41  
42  
43  
44  
45  
46  
47  
48  
49  
50  
51  
52  
53  
54  
55  
56  
57  
58  
59  
60  
61  
62  
63  
64  
65  
66  
67  
68

--	--	--	--

02	GT	Drawing released	10/21/22
01	CJH	Drawing released	7/21/22

REV	BY	DESCRIPTION	DATE
-----	----	-------------	------

THIS DRAWING IS THE PROPERTY OF



THIS DRAWING MUST NOT BE COPIED WITHOUT EXPRESS WRITTEN PERMISSION OF INNOVATE IT CAR WASH EQUIPMENT.

DESIGN RIGHT

ALL DESIGN RIGHTS RECORDED IN THIS DESIGN DOCUMENT ARE THE PROPERTY OF INNOVATE IT CAR WASH EQUIPMENT. THE DESIGN MUST NOT BE REPRODUCED WITHOUT EXPRESS WRITTEN PERMISSION OF INNOVATE IT CAR WASH EQUIPMENT.

CONFIDENTIALITY

THIS DRAWING MUST NOT BE DISCLOSED TO ANY THIRD PARTY WITHOUT THE EXPRESS WRITTEN PERMISSION OF INNOVATE IT CAR WASH EQUIPMENT.

APPROVALS	DATE
DRAWN CJH	7/21/22
CHKD	
APPRVD	
ENG. INFO	XXXX

**INNOVATE IT CAR WASH EQUIPMENT**

PROJECT: Reclaim System

TITLE: PLC Node 1, Unit 1, Additional I/O Power Supply Unit

DRAWING NO: Reclaim System R2

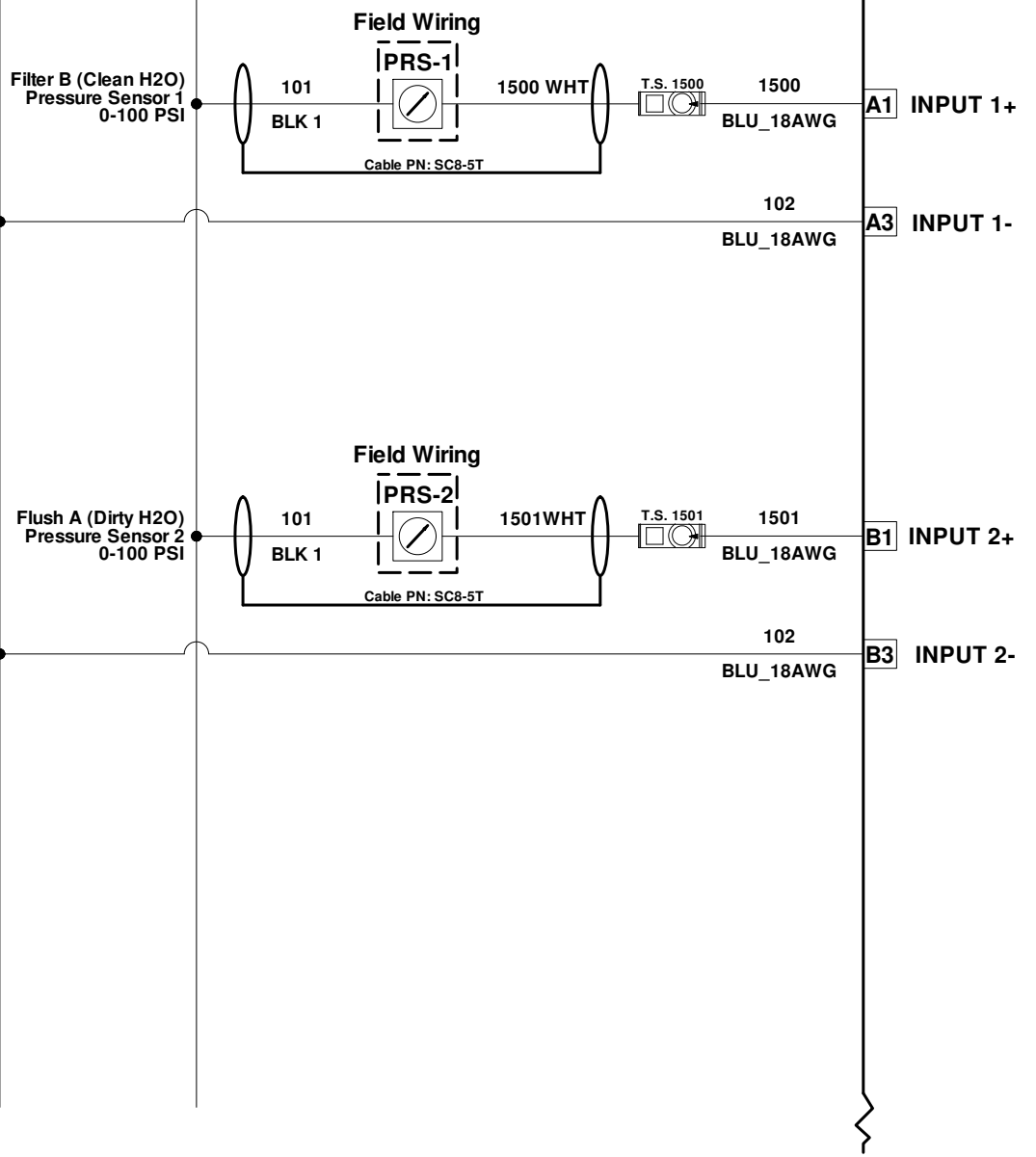
DO NOT SCALE DWG.	SIZE:	SCALE: NONE	SHEET: PAGE 7 OF 9	REV: 02
-------------------	-------	-------------	--------------------	---------

01  
02  
03  
04  
05  
06  
07  
08  
09  
10  
11  
12  
13  
14  
15  
16  
17  
18  
19  
20  
21  
22  
23  
24  
25  
26  
27  
28  
29  
30  
31  
32  
33  
34

35  
36  
37  
38  
39  
40  
41  
42  
43  
44  
45  
46  
47  
48  
49  
50  
51  
52  
53  
54  
55  
56  
57  
58  
59  
60  
61  
62  
63  
64  
65  
66  
67  
68

102 (0VDC)      101 (+24VDC)

OMRON  
NX-AD2204  
Node 1  
Unit 3



--	--	--	--

02	GT	Drawing released	10/21/22
01	CJH	Drawing released	7/21/22

REV	BY	DESCRIPTION	DATE
-----	----	-------------	------

THIS DRAWING IS THE PROPERTY OF  
**INNOVATE IT**  
THIS DRAWING MUST NOT BE COPIED WITHOUT EXPRESS WRITTEN PERMISSION OF INNOVATE IT CAR WASH EQUIPMENT.  
DESIGN RIGHT  
ALL DESIGN RIGHTS RECORDED IN THIS DESIGN DOCUMENT ARE THE PROPERTY OF INNOVATE IT CAR WASH EQUIPMENT. THE DESIGN MUST NOT BE REPRODUCED WITHOUT EXPRESS WRITTEN PERMISSION OF INNOVATE IT CAR WASH EQUIPMENT.  
CONFIDENTIALITY  
THIS DRAWING MUST NOT BE DISCLOSED TO ANY THIRD PARTY WITHOUT THE EXPRESS WRITTEN PERMISSION OF INNOVATE IT CAR WASH EQUIPMENT.

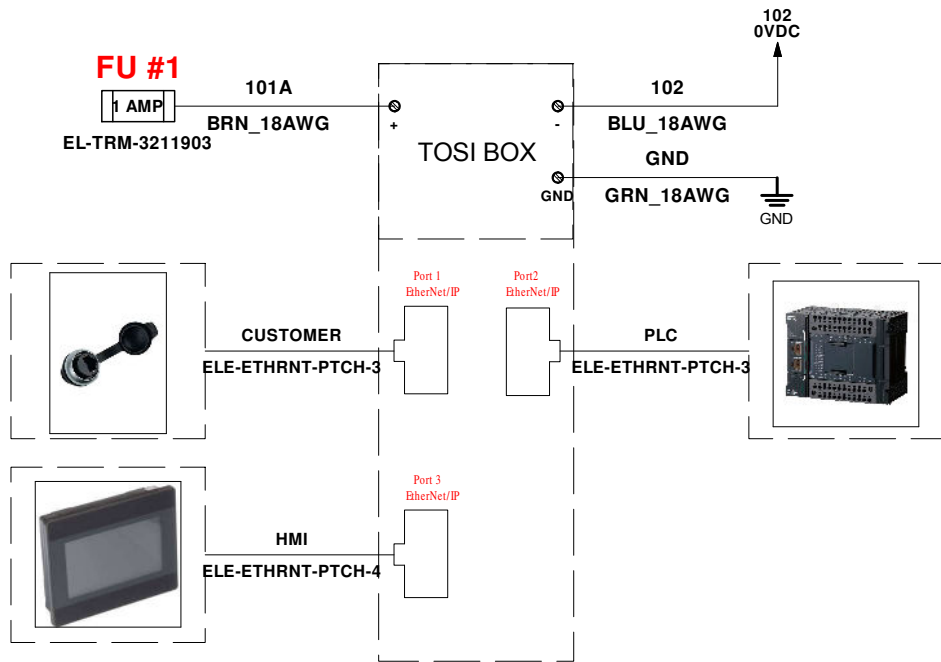
APPROVALS	DATE
DRAWN CJH	7/21/22
CHKD	
APPRVD	
ENG. INFO	XXXX
DO NOT SCALE DWG.	

INNOVATE IT CAR WASH EQUIPMENT	
PROJECT:	Reclaim System
TITLE:	PLC Node 1, Unit 2, Analog Inputs 0-1
DRAWING NO:	Reclaim System R2
SIZE:	SCALE: NONE
SHEET:	PAGE 8 OF 9
REV:	02

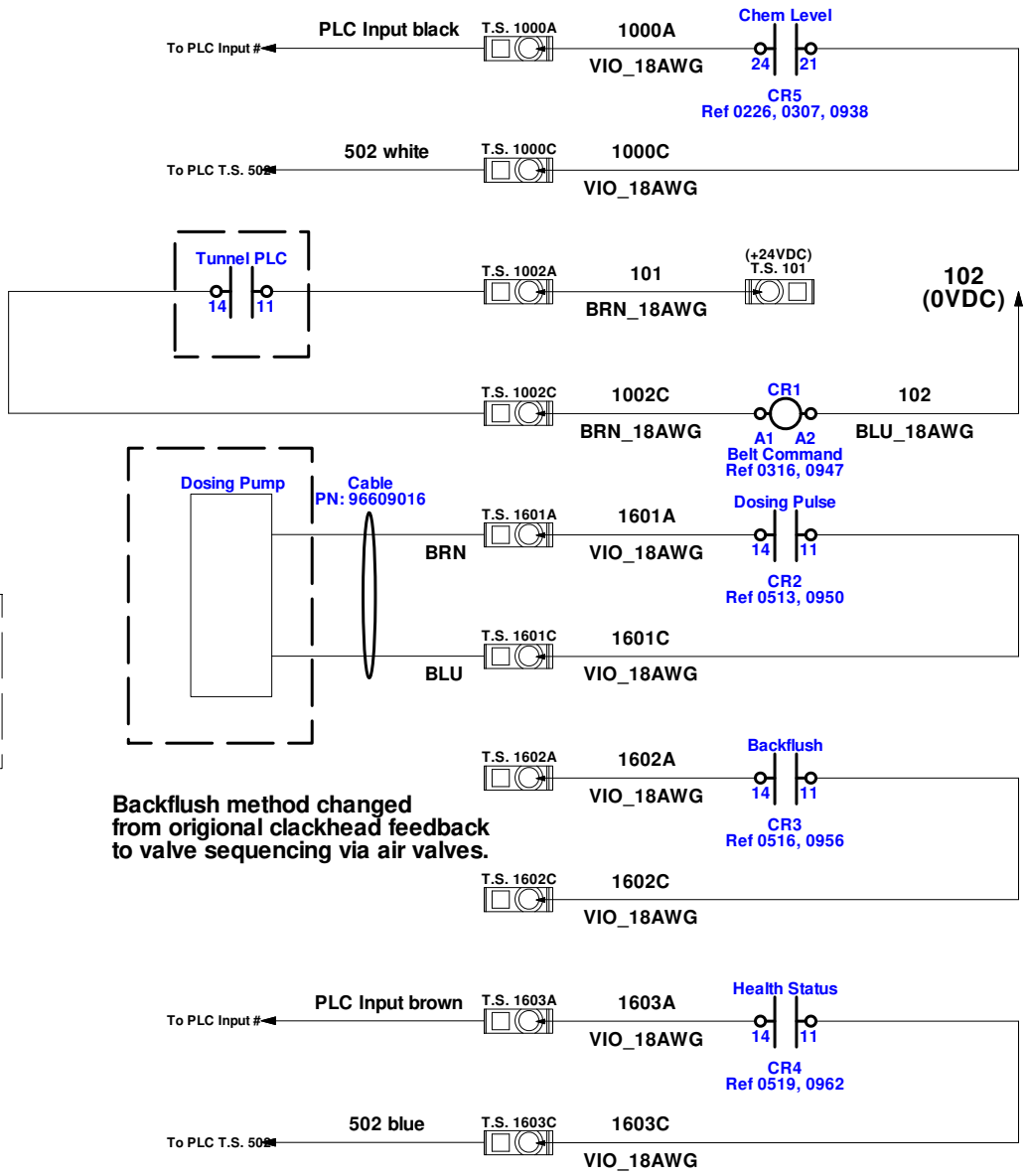


01  
02  
03  
04  
05  
06  
07  
08  
09  
10  
11  
12  
13  
14  
15  
16  
17  
18  
19  
20  
21  
22  
23  
24  
25  
26  
27  
28  
29  
30  
31  
32  
33  
34

35  
36  
37  
38  
39  
40  
41  
42  
43  
44  
45  
46  
47  
48  
49  
50  
51  
52  
53  
54  
55  
56  
57  
58  
59  
60  
61  
62  
63  
64  
65  
66  
67  
68



**ETHERNET CONNECTIONS**  
**PORT 1 TO CUSTOMER NETWORK**  
**PORT 2 TO PLC**  
**PORT 3 TO HMI**



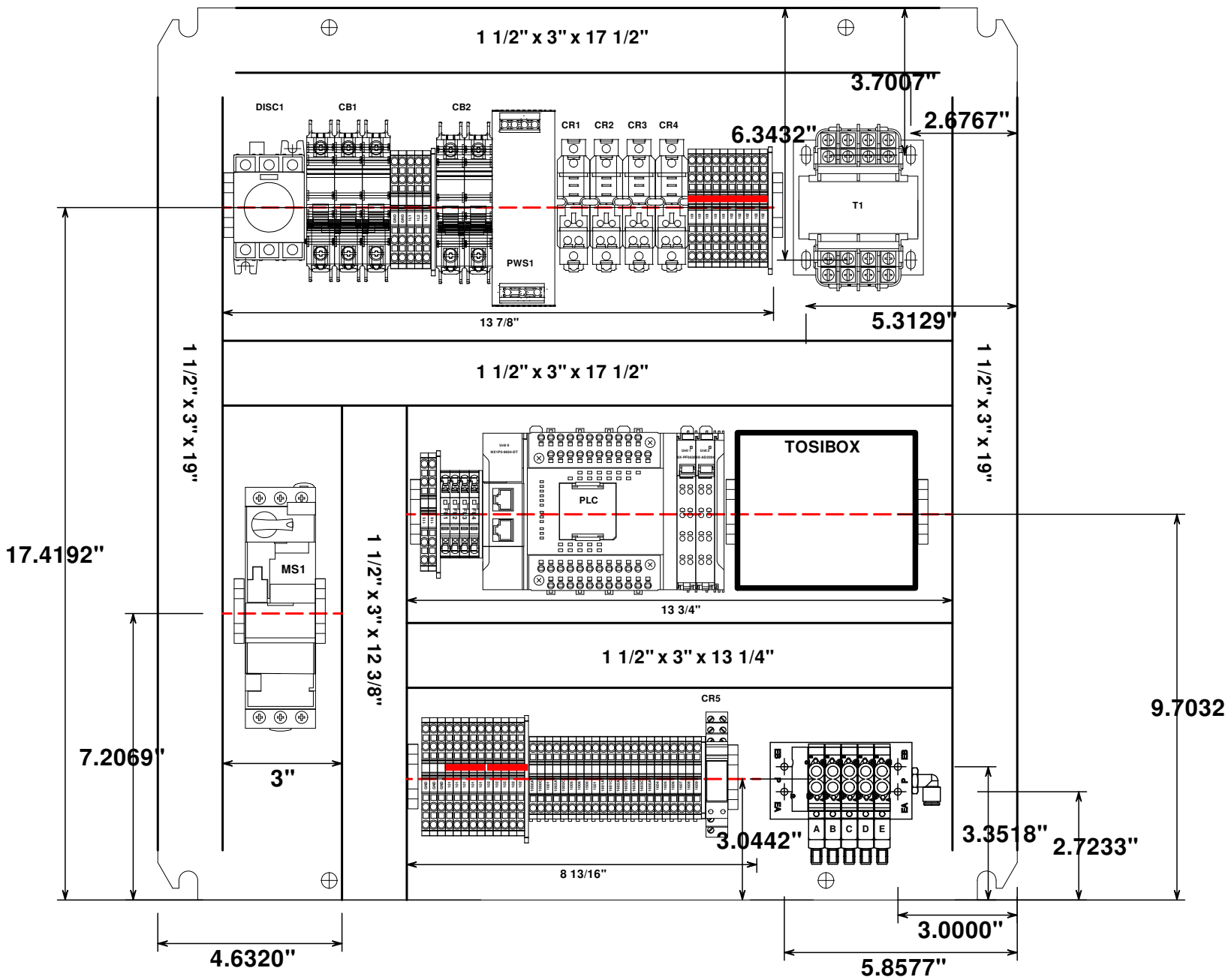
Backflush method changed from original clackhead feedback to valve sequencing via air valves.

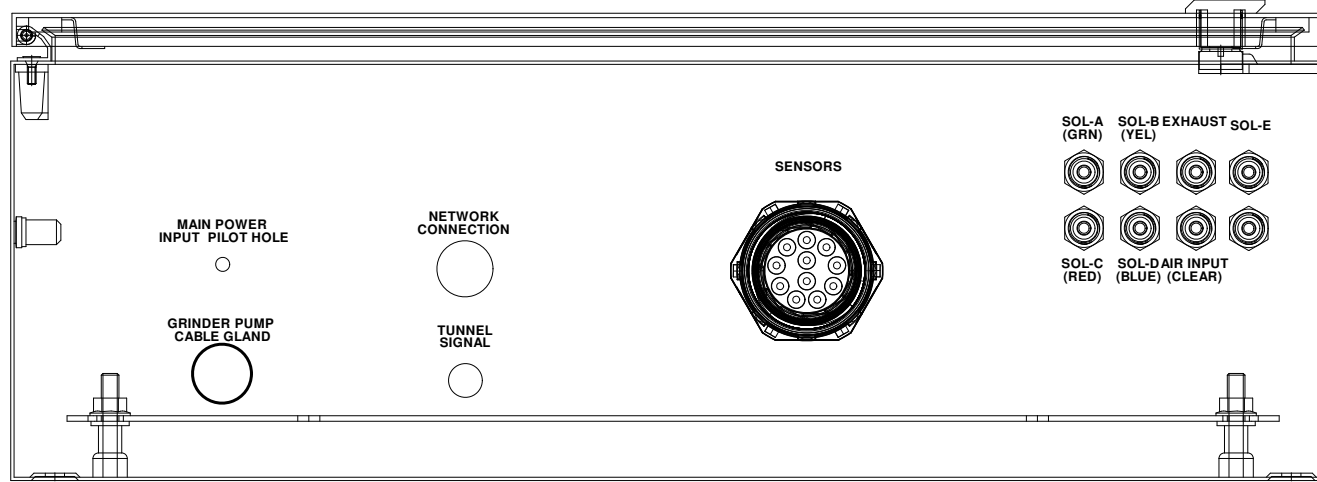
02	GT	Drawing released	10/21/22
01	CJH	Drawing released	7/21/22
REV	BY	DESCRIPTION	DATE

THIS DRAWING IS THE PROPERTY OF <b>INNOVATE IT</b>		APPROVALS	DATE	INNOVATE IT CAR WASH EQUIPMENT	
THIS DRAWING MUST NOT BE COPIED WITHOUT EXPRESS WRITTEN PERMISSION OF INNOVATE IT CAR WASH EQUIPMENT.		DRAWN CJH	7/21/22	PROJECT: Reclaim System	
DESIGN RIGHT		CHKD		TITLE: Tunnel Controller Signals	
ALL DESIGN RIGHTS RECORDED IN THIS DESIGN DOCUMENT ARE THE PROPERTY OF INNOVATE IT CAR WASH EQUIPMENT. THE DESIGN MUST NOT BE REPRODUCED WITHOUT EXPRESS WRITTEN PERMISSION OF INNOVATE IT CAR WASH EQUIPMENT.		APPRVD		DRAWING NO: Reclaim System R2	
CONFIDENTIALITY		ENG. INFO	XXXX	SIZE:	SCALE: NONE
THIS DRAWING MUST NOT BE DISCLOSED TO ANY THIRD PARTY WITHOUT THE EXPRESS WRITTEN PERMISSION OF INNOVATE IT CAR WASH EQUIPMENT.		DO NOT SCALE DWG.		SHEET: PAGE 9 OF 9	REV: 02

# RECLAIM UNIT

## Revision 3 (10/20/22)





## RECLAIM-Rev5 Layout

