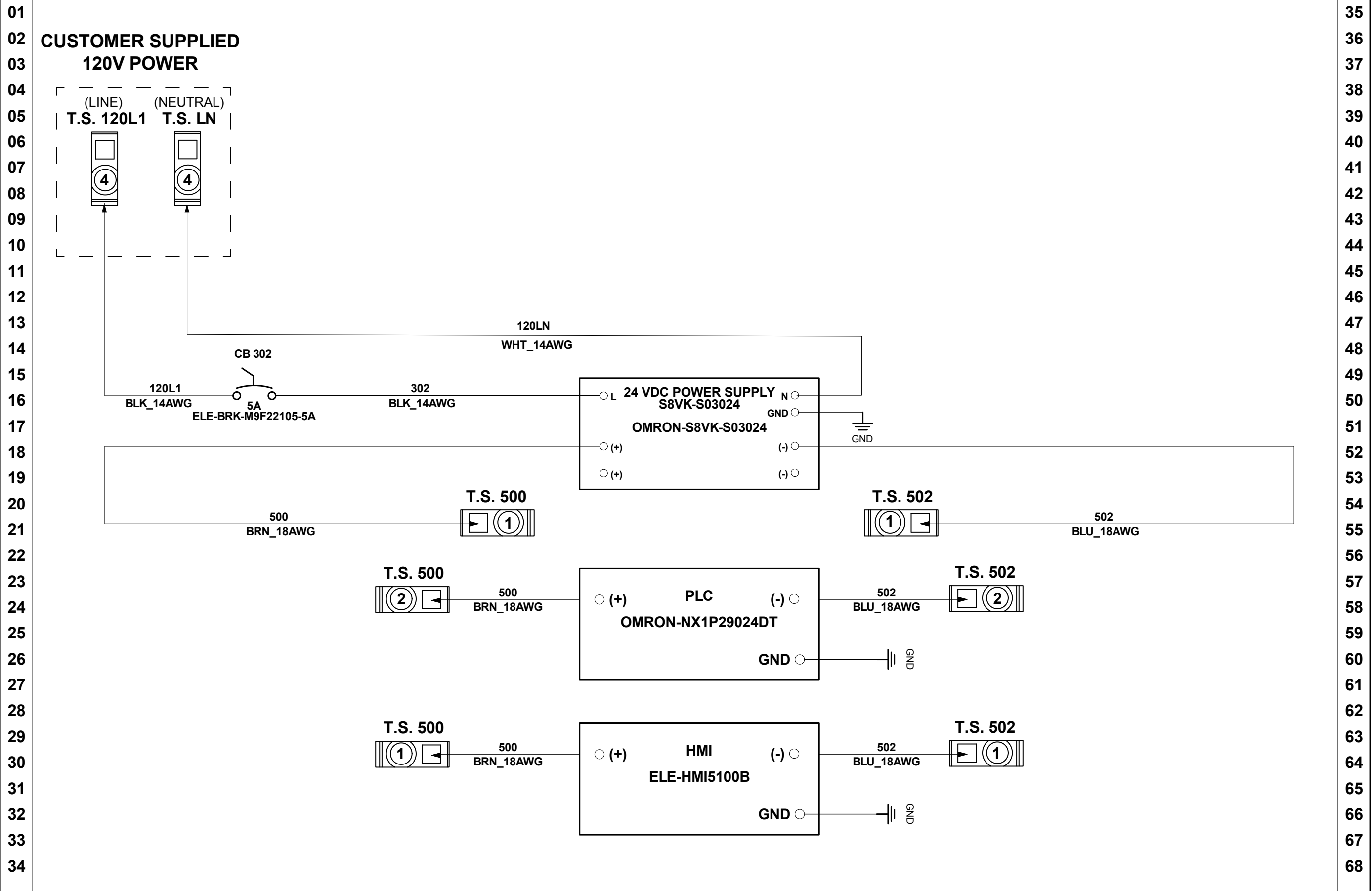


03			
02			
01	CJH	Drawing released	5/18/22
REV	BY	DESCRIPTION	DATE

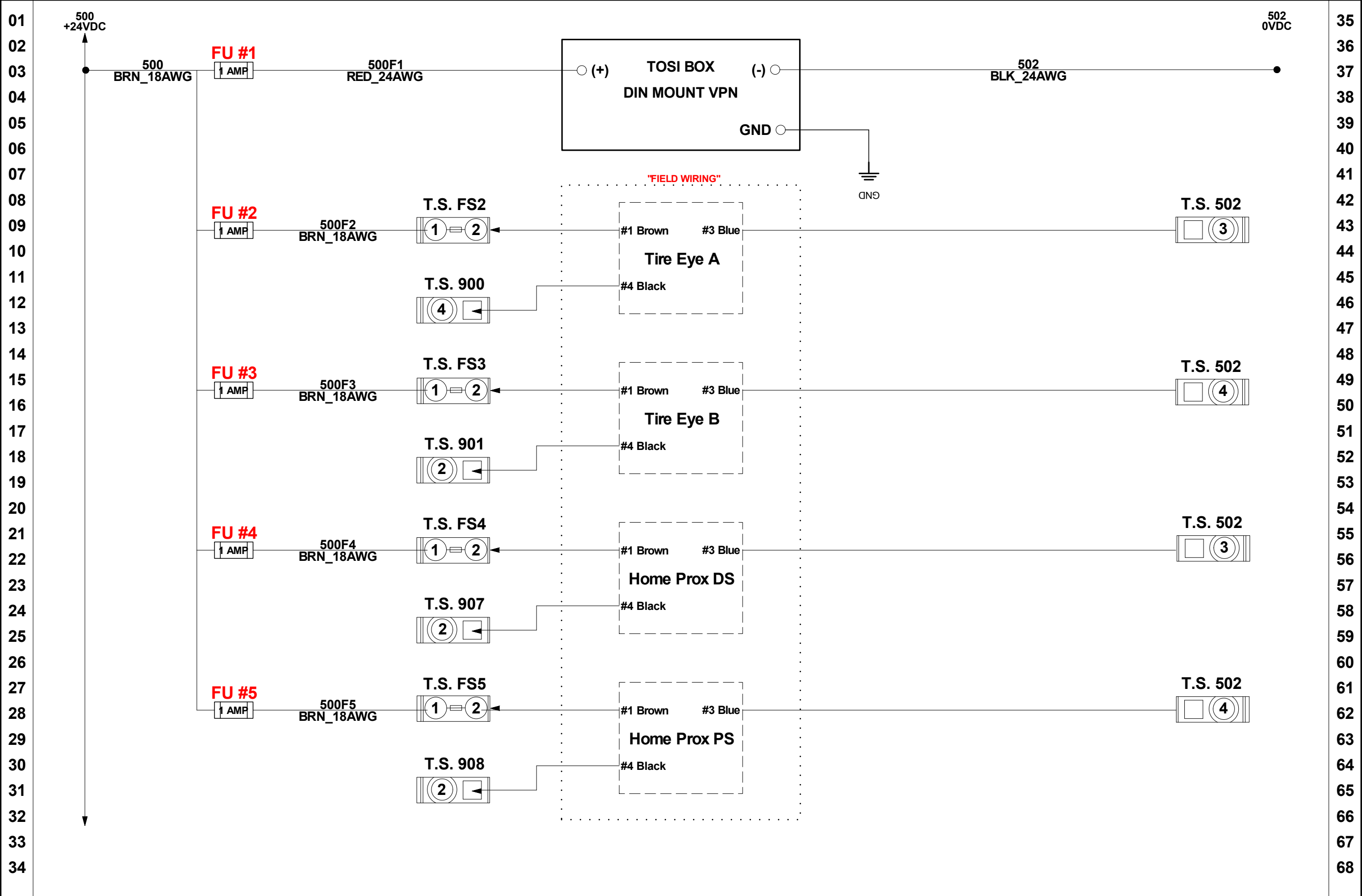
NOTE: REMOVE A FACTORY JUMPER AND RUN EN1, EN2, AND PLC WIRE TO TERMINAL STRIP

THIS DRAWING IS THE PROPERTY OF INNOVATE IT		APPROVALS	DATE	INNOVATE IT CAR WASH EQUIPMENT	
THIS DRAWING MUST NOT BE COPIED WITHOUT EXPRESS WRITTEN PERMISSION OF INNOVATE IT CAR WASH EQUIPMENT.		DRAWN CJH	5/18/22	PROJECT: Wheel Blaster	
DESIGN RIGHT		CHKD		TITLE: Wheel Blaster VFDs	
ALL DESIGN RIGHTS RECORDED IN THIS DESIGN DOCUMENT ARE THE PROPERTY OF INNOVATE IT CAR WASH EQUIPMENT. THE DESIGN MUST NOT BE REPRODUCED WITHOUT EXPRESS WRITTEN PERMISSION OF INNOVATE IT CAR WASH EQUIPMENT.		APPRVD		DRAWING NO: Wheel Blaster_480-24V_Wiring_ETH_Maple	
CONFIDENTIALITY		ENG. INFO	XXXX	SIZE:	SCALE: NONE
THIS DRAWING MUST NOT BE DISCLOSED TO ANY THIRD PARTY WITHOUT THE EXPRESS WRITTEN PERMISSION OF INNOVATE IT CAR WASH EQUIPMENT.		DO NOT SCALE DWG.		SHEET: PAGE 1 OF 10	REV: 02



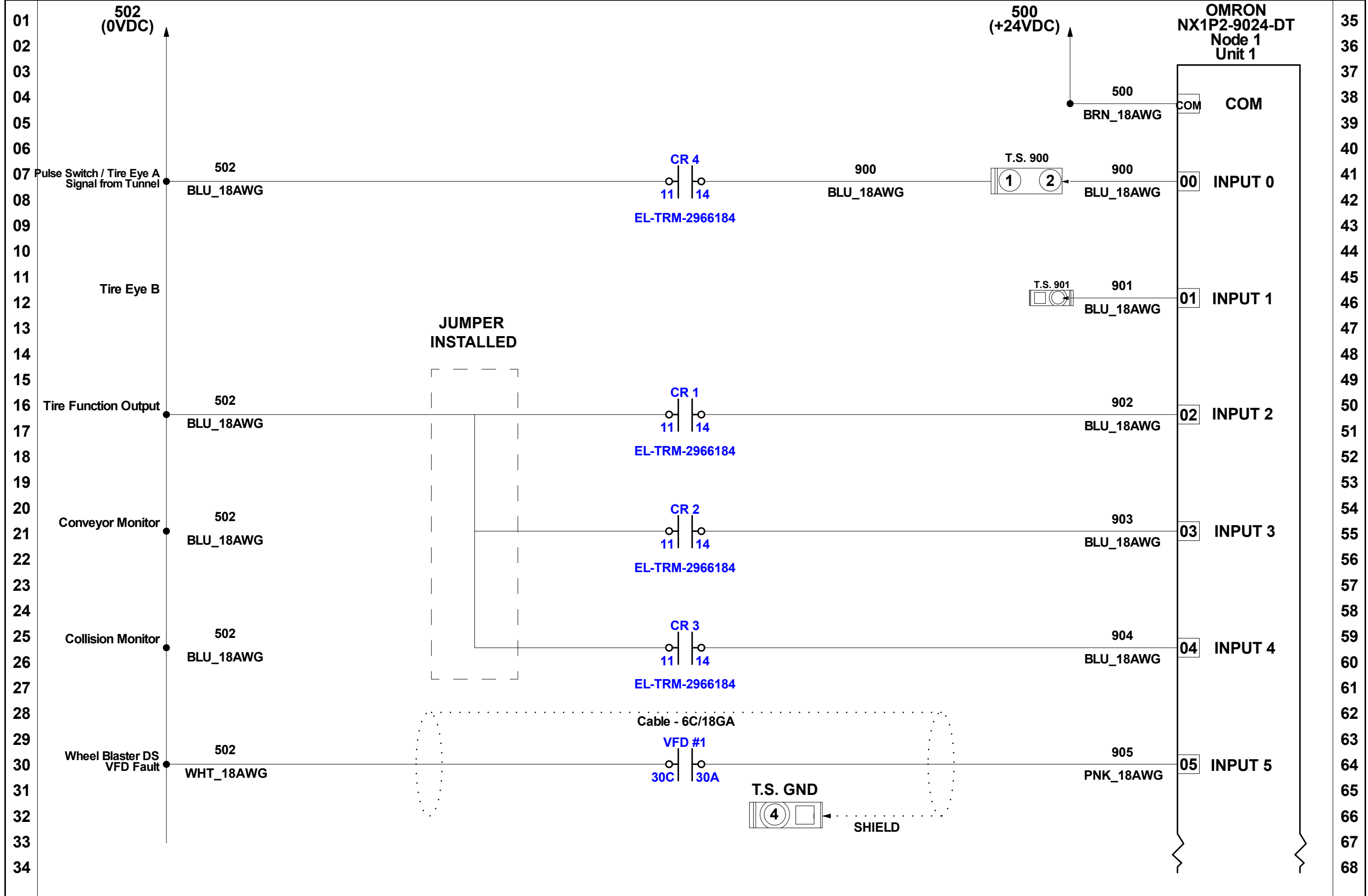
03			
02			
01	CJH	Drawing released	5/18/22
REV	BY	DESCRIPTION	DATE

THIS DRAWING IS THE PROPERTY OF		APPROVALS	DATE	INNOVATE IT CAR WASH EQUIPMENT	
		DRAWN	CJH	5/18/22	PROJECT: Wheel Blaster
		CHKD			
DESIGN RIGHT ALL DESIGN RIGHTS RECORDED IN THIS DESIGN DOCUMENT ARE THE PROPERTY OF INNOVATE IT CAR WASH EQUIPMENT. THE DESIGN MUST NOT BE REPRODUCED WITHOUT EXPRESS WRITTEN PERMISSION OF INNOVATE IT CAR WASH EQUIPMENT.		APPRVD			TITLE: AC / DC Power Distribution
		ENG. INFO		XXXX	DRAWING NO: Wheel Blaster_480-24V_Wiring_ETH_Maple
THIS DRAWING MUST NOT BE DISCLOSED TO ANY THIRD PARTY WITHOUT THE EXPRESS WRITTEN PERMISSION OF INNOVATE IT CAR WASH EQUIPMENT.		DO NOT SCALE DWG.		SIZE:	SCALE: NONE
				SHEET: PAGE 2 OF 10	REV: 02



03			
02			
01	CJH	Drawing released	5/18/22
REV	BY	DESCRIPTION	DATE

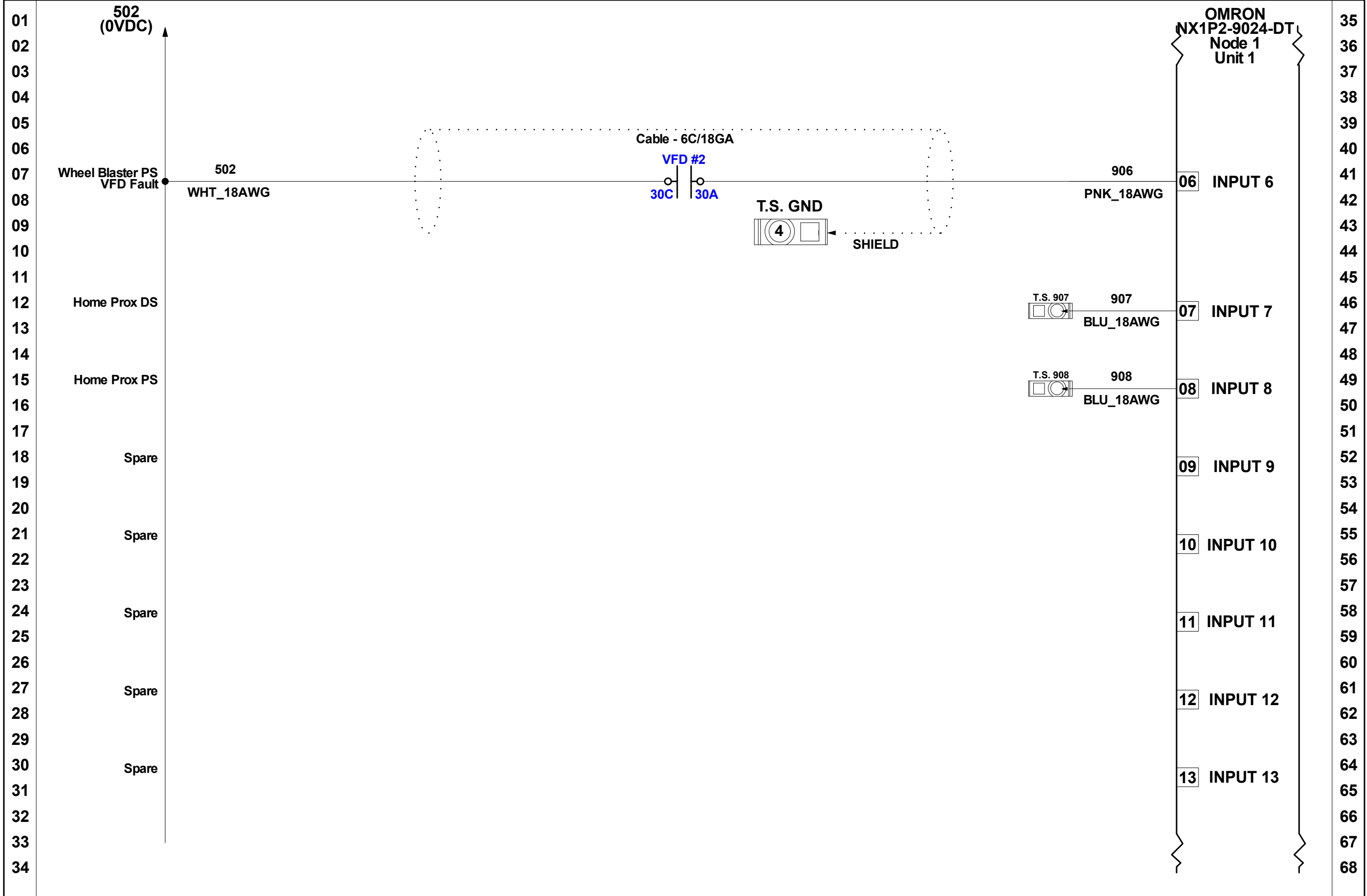
THIS DRAWING IS THE PROPERTY OF INNOVATE IT		APPROVALS	DATE	INNOVATE IT CAR WASH EQUIPMENT	
THIS DRAWING MUST NOT BE COPIED WITHOUT EXPRESS WRITTEN PERMISSION OF INNOVATE IT CAR WASH EQUIPMENT. DESIGN RIGHT ALL DESIGN RIGHTS RECORDED IN THIS DESIGN DOCUMENT ARE THE PROPERTY OF INNOVATE IT CAR WASH EQUIPMENT. THE DESIGN MUST NOT BE REPRODUCED WITHOUT EXPRESS WRITTEN PERMISSION OF INNOVATE IT CAR WASH EQUIPMENT. CONFIDENTIALITY THIS DRAWING MUST NOT BE DISCLOSED TO ANY THIRD PARTY WITHOUT THE EXPRESS WRITTEN PERMISSION OF INNOVATE IT CAR WASH EQUIPMENT.		DRAWN CJH	5/18/22	PROJECT: Wheel Blaster	
		CHKD		TITLE: DC Fuse Distribution	
		APPRVD		DRAWING NO: Wheel Blaster_480-24V_Wiring_ETH_Maple	
		ENG. INFO	XXXX	SIZE:	SCALE: NONE
		DO NOT SCALE DWG.		SHEET: PAGE 3 OF 10	REV: 02



Note:
Connect shield wire to ground on PLC side of cable

REV	BY	DESCRIPTION	DATE
03			
02			
01	CJH	Drawing released	5/18/22

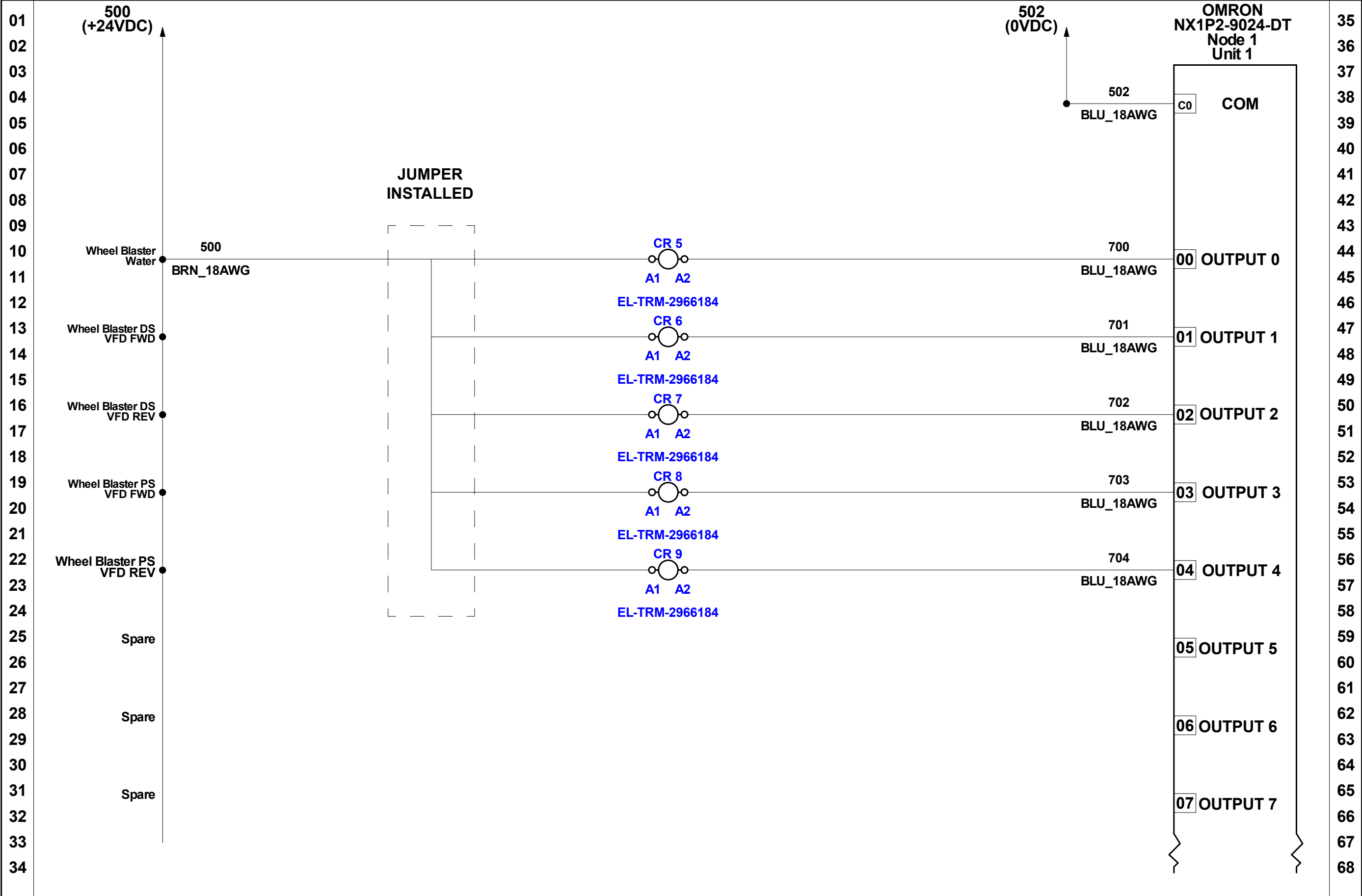
THIS DRAWING IS THE PROPERTY OF INNOVATE IT		APPROVALS	DATE	INNOVATE IT CAR WASH EQUIPMENT	
THIS DRAWING MUST NOT BE COPIED WITHOUT EXPRESS WRITTEN PERMISSION OF INNOVATE IT CAR WASH EQUIPMENT. DESIGN RIGHT ALL DESIGN RIGHTS RECORDED IN THIS DESIGN DOCUMENT ARE THE PROPERTY OF INNOVATE IT CAR WASH EQUIPMENT. THE DESIGN MUST NOT BE REPRODUCED WITHOUT EXPRESS WRITTEN PERMISSION OF INNOVATE IT CAR WASH EQUIPMENT. CONFIDENTIALITY THIS DRAWING MUST NOT BE DISCLOSED TO ANY THIRD PARTY WITHOUT THE EXPRESS WRITTEN PERMISSION OF INNOVATE IT CAR WASH EQUIPMENT.		DRAWN CJH	5/18/22	PROJECT: Wheel Blaster	
		CHKD		TITLE: PLC Inputs 0-5	
		APPRVD		DRAWING NO: Wheel Blaster_480-24V_Wiring_ETH_Maple	
		ENG. INFO	XXXX	SIZE:	SCALE: NONE
		DO NOT SCALE DWG.		SHEET: PAGE 4 OF 10	REV: 02



Note:
Connect shield wire to ground on PLC side of cable

03			
02			
01	CJH	Drawing released	5/18/22
REV	BY	DESCRIPTION	DATE

THIS DRAWING IS THE PROPERTY OF INNOVATE IT		APPROVALS	DATE	INNOVATE IT CAR WASH EQUIPMENT	
THIS DRAWING MUST NOT BE COPIED WITHOUT EXPRESS WRITTEN PERMISSION OF INNOVATE IT CAR WASH EQUIPMENT. DESIGN RIGHT ALL DESIGN RIGHTS RECORDED IN THIS DESIGN DOCUMENT ARE THE PROPERTY OF INNOVATE IT CAR WASH EQUIPMENT. THE DESIGN MUST NOT BE REPRODUCED WITHOUT EXPRESS WRITTEN PERMISSION OF INNOVATE IT CAR WASH EQUIPMENT. CONFIDENTIALITY THIS DRAWING MUST NOT BE DISCLOSED TO ANY THIRD PARTY WITHOUT THE EXPRESS WRITTEN PERMISSION OF INNOVATE IT CAR WASH EQUIPMENT.		DRAWN CJH	5/18/22	PROJECT: Wheel Blaster	
		CHKD		TITLE: PLC Node 1, Unit 1, Inputs 6-13	
		APPRVD		DRAWING NO: Wheel Blaster_480-24V_Wiring_ETH_Maple	
		ENG. INFO	XXXX	SIZE:	SCALE: NONE
		DO NOT SCALE DWG.		SHEET: PAGE 5 OF 10	REV: 02



03			
02			
01	CJH	Drawing released	5/18/22
REV	BY	DESCRIPTION	DATE


THIS DRAWING IS THE PROPERTY OF INNOVATEIT		APPROVALS	DATE	INNOVATE IT CAR WASH EQUIPMENT
THIS DRAWING MUST NOT BE COPIED WITHOUT EXPRESS WRITTEN PERMISSION OF INNOVATE IT CAR WASH EQUIPMENT. DESIGN RIGHT		DRAWN CJH	5/18/22	
ALL DESIGN RIGHTS RECORDED IN THIS DESIGN DOCUMENT ARE THE PROPERTY OF INNOVATE IT CAR WASH EQUIPMENT. THE DESIGN MUST NOT BE REPRODUCED WITHOUT EXPRESS WRITTEN PERMISSION OF INNOVATE IT CAR WASH EQUIPMENT.		CHKD		PROJECT: Wheel Blaster
CONFIDENTIALITY		APPRVD		TITLE: PLC Node 1, Unit 1, Outputs 0-7
THIS DRAWING MUST NOT BE DISCLOSED TO ANY THIRD PARTY WITHOUT THE EXPRESS WRITTEN PERMISSION OF INNOVATE IT CAR WASH EQUIPMENT.		ENG. INFO	XXXX	DRAWING NO: Wheel Blaster_480-24V_Wiring_ETH_Maple
		DO NOT SCALE DWG.	SIZE:	SCALE: NONE
			SHEET: PAGE 6 OF 10	REV: 02

01	102 (24VDCOM) From 0345	
02		
03		
04		
05		
06		
07	Spare	
08		
09		
10	Spare	
11		
12		
13	Spare	
14		
15		
16	Spare	
17		
18		
19	Spare	
20		
21		
22	Spare	
23		
24		
25	Spare	
26		
27		
28	Spare	
29		
30		
31		
32		
33		
34		

OMRON NX1P2-9024-DT Node 1 Unit 1	
08	OUTPUT 8
09	OUTPUT 9
10	OUTPUT 10
11	OUTPUT 11
12	OUTPUT 12
13	OUTPUT 13
14	OUTPUT 14
15	OUTPUT 15

THIS PAGE INTENTIONALLY LEFT BLANK

03			
02			
01	CJH	Drawing released	5/18/22
REV	BY	DESCRIPTION	DATE

THIS DRAWING IS THE PROPERTY OF 		APPROVALS	DATE	INNOVATE IT CAR WASH EQUIPMENT	
THIS DRAWING MUST NOT BE COPIED WITHOUT EXPRESS WRITTEN PERMISSION OF INNOVATE IT CAR WASH EQUIPMENT. DESIGN RIGHT ALL DESIGN RIGHTS RECORDED IN THIS DESIGN DOCUMENT ARE THE PROPERTY OF INNOVATE IT CAR WASH EQUIPMENT. THE DESIGN MUST NOT BE REPRODUCED WITHOUT EXPRESS WRITTEN PERMISSION OF INNOVATE IT CAR WASH EQUIPMENT. CONFIDENTIALITY THIS DRAWING MUST NOT BE DISCLOSED TO ANY THIRD PARTY WITHOUT THE EXPRESS WRITTEN PERMISSION OF INNOVATE IT CAR WASH EQUIPMENT.		DRAWN CJH	5/18/22	PROJECT: Wheel Blaster	
		CHKD		TITLE: PLC Node 1, Unit 1, Outputs 8-15	
		APPRVD		DRAWING NO: Wheel Blaster_480-24V_Wiring_ETH_Maple	
		ENG. INFO	XXXX	SIZE:	SCALE: NONE
		DO NOT SCALE DWG.		SHEET: PAGE 7 OF 10	REV: 02

TUNNEL CONTROLLER CONNECTIONS

T.S. 120LN
(120 VAC Neutral)

01
02
03
04
05
06
07
08
09
10
11
12
13
14
15
16
17
18
19
20
21
22
23
24
25
26
27
28
29
30
31
32
33
34

35
36
37
38
39
40
41
42
43
44
45
46
47
48
49
50
51
52
53
54
55
56
57
58
59
60
61
62
63
64
65
66
67
68

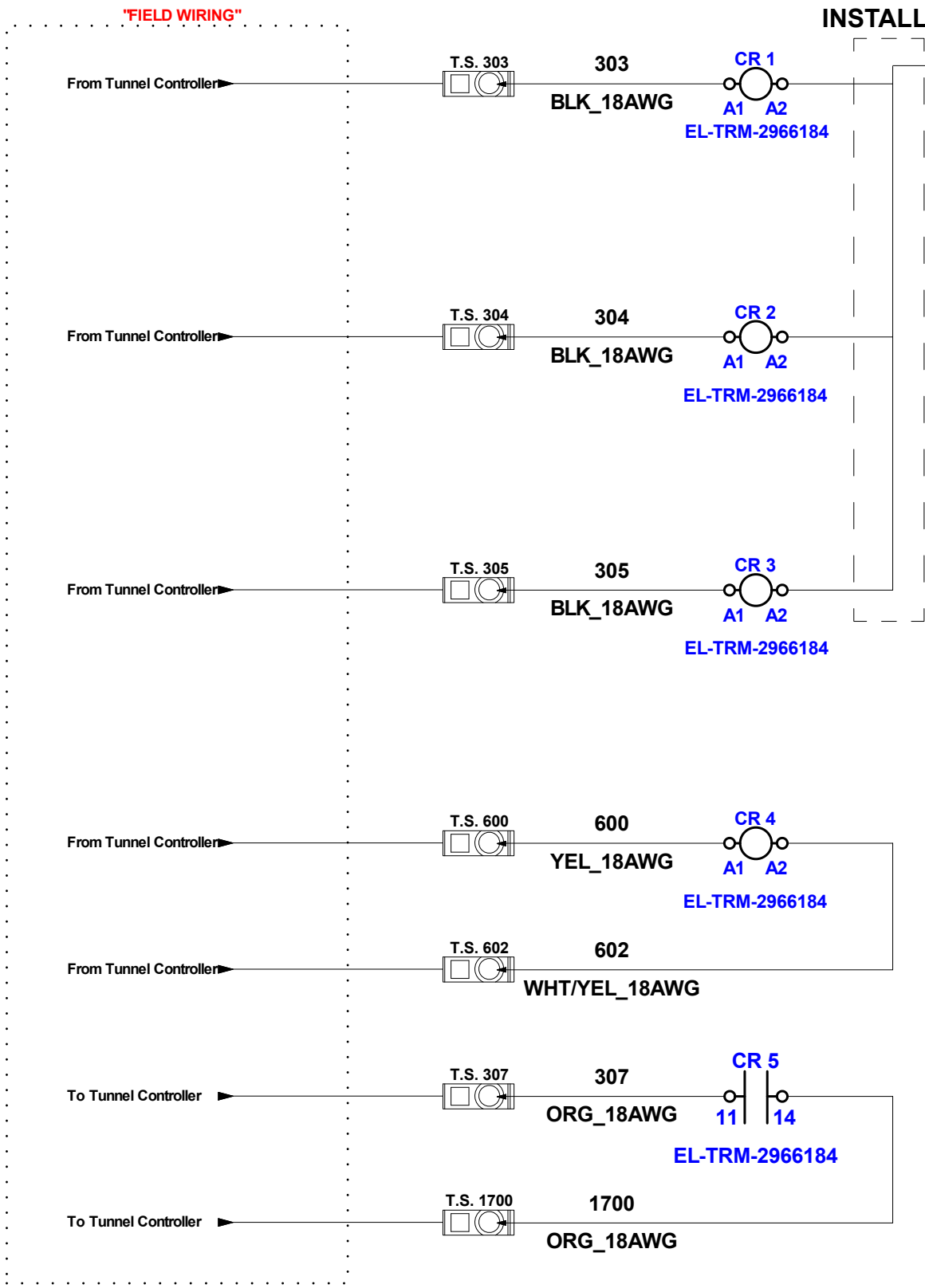
Tire Tunnel Function
24 VAC/DC

Conveyor Running
24 VAC/DC

Collision Monitor
24 VAC/DC

Pulse Switch
24 VAC/DC

wheelblastIT Water Solenoid Output
DRY CONTACT



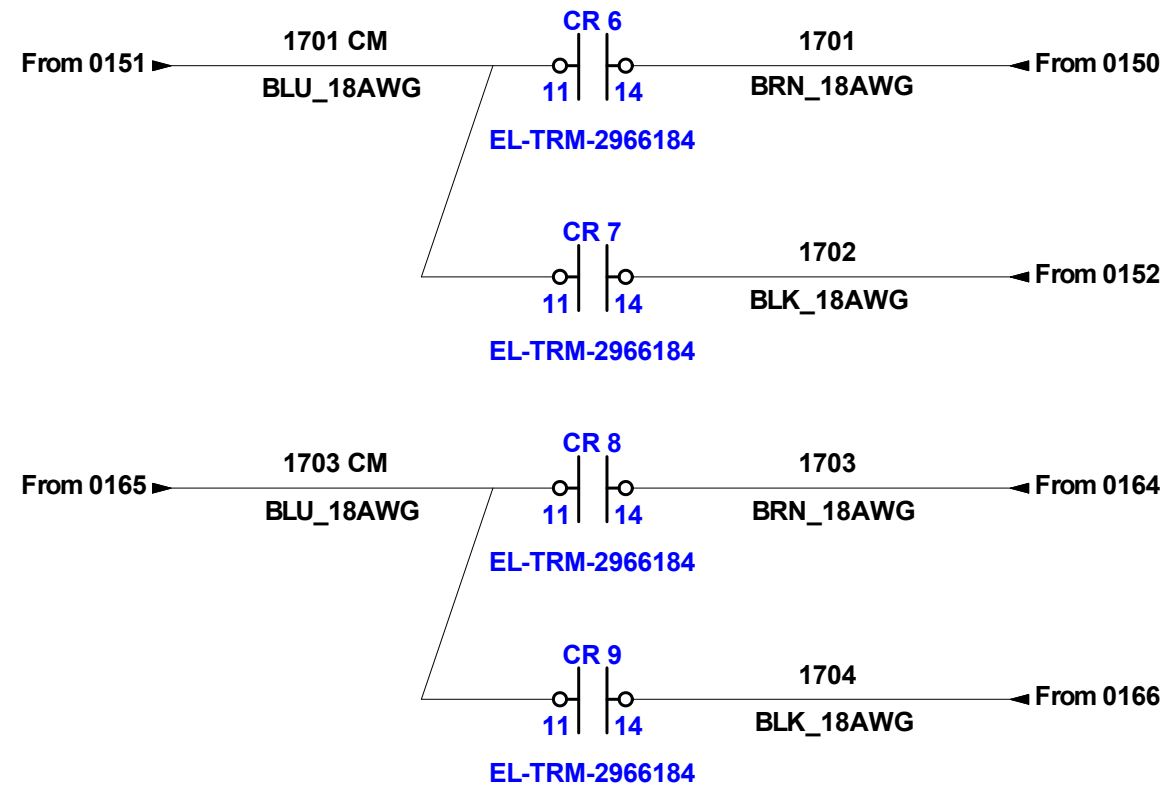
Note:
Run individual conductors, do not jumper terminals.

03			
02			
01	CJH	Drawing released	5/18/22
REV	BY	DESCRIPTION	DATE

THIS DRAWING IS THE PROPERTY OF INNOVATE IT		APPROVALS	DATE	INNOVATE IT CAR WASH EQUIPMENT	
THIS DRAWING MUST NOT BE COPIED WITHOUT EXPRESS WRITTEN PERMISSION OF INNOVATE IT CAR WASH EQUIPMENT. DESIGN RIGHT ALL DESIGN RIGHTS RECORDED IN THIS DESIGN DOCUMENT ARE THE PROPERTY OF INNOVATE IT CAR WASH EQUIPMENT. THE DESIGN MUST NOT BE REPRODUCED WITHOUT EXPRESS WRITTEN PERMISSION OF INNOVATE IT CAR WASH EQUIPMENT. CONFIDENTIALITY THIS DRAWING MUST NOT BE DISCLOSED TO ANY THIRD PARTY WITHOUT THE EXPRESS WRITTEN PERMISSION OF INNOVATE IT CAR WASH EQUIPMENT.		DRAWN CJH	5/18/22	PROJECT: Wheel Blaster	
		CHKD		TITLE: Tunnel Controller Connections	
		APPRVD		DRAWING NO: Wheel Blaster_480-24V_Wiring_ETH_Maple	
		ENG. INFO	XXXX	SIZE:	SCALE: NONE
		DO NOT SCALE DWG.		SHEET: PAGE 8 OF 10	REV: 02

01
02
03
04
05
06
07
08
09
10
11
12
13
14
15
16
17
18
19
20
21
22
23
24
25
26
27
28
29
30
31
32
33
34

35
36
37
38
39
40
41
42
43
44
45
46
47
48
49
50
51
52
53
54
55
56
57
58
59
60
61
62
63
64
65
66
67
68



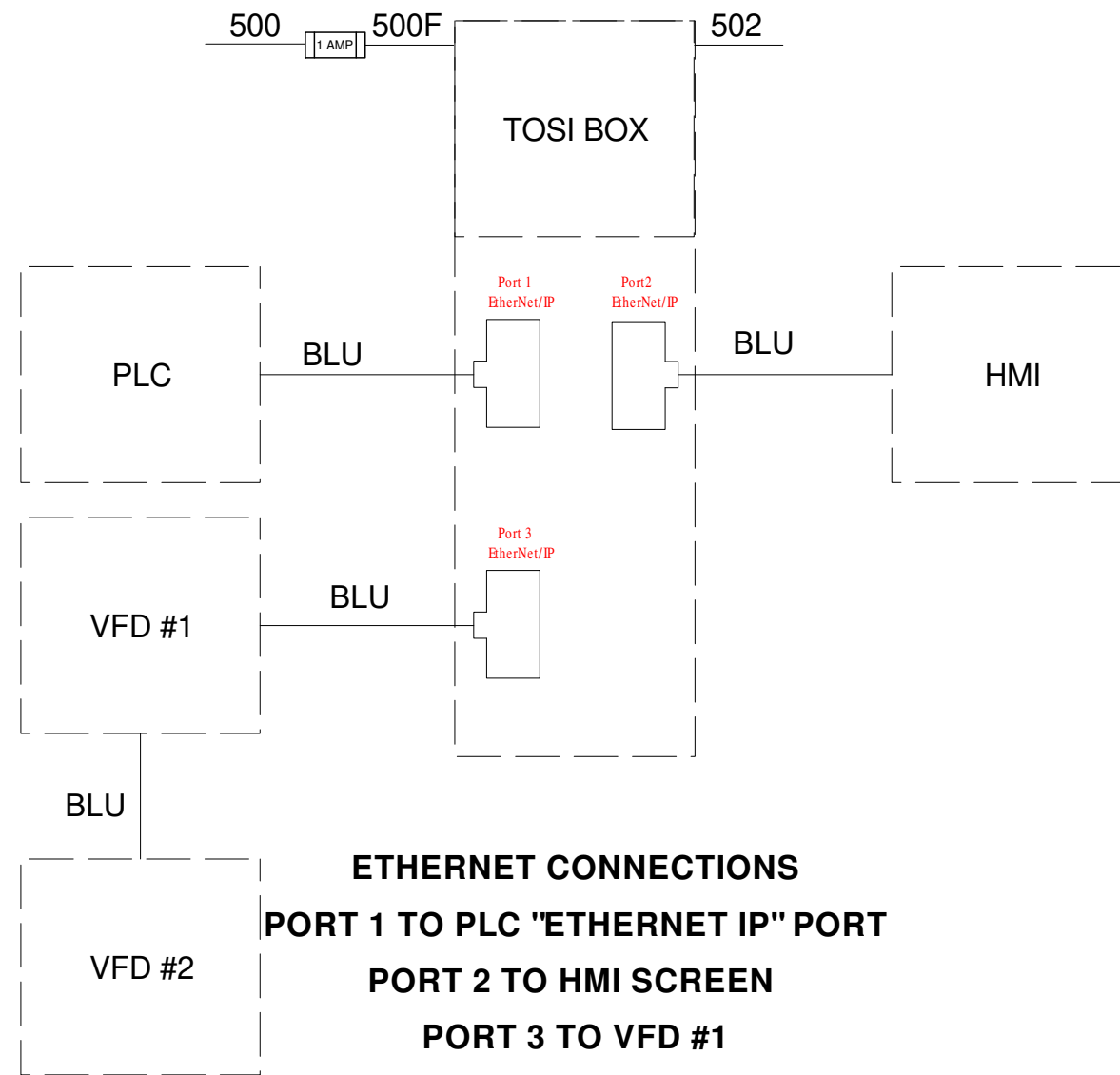
Note:
Jumper CR 6+7 Pin 11
Jumper CR 8+9 Pin 11

03			
02			
01	CJH	Drawing released	5/18/22
REV	BY	DESCRIPTION	DATE

THIS DRAWING IS THE PROPERTY OF		APPROVALS	DATE	INNOVATE IT CAR WASH EQUIPMENT	
		DRAWN CJH	5/18/22	PROJECT: Wheel Blaster	
		CHKD		TITLE: VFD Forward / Reverse Signals	
<small>THIS DRAWING MUST NOT BE COPIED WITHOUT EXPRESS WRITTEN PERMISSION OF INNOVATE IT CAR WASH EQUIPMENT. DESIGN RIGHT</small> <small>ALL DESIGN RIGHTS RECORDED IN THIS DESIGN DOCUMENT ARE THE PROPERTY OF INNOVATE IT CAR WASH EQUIPMENT. THE DESIGN MUST NOT BE REPRODUCED WITHOUT EXPRESS WRITTEN PERMISSION OF INNOVATE IT CAR WASH EQUIPMENT.</small> CONFIDENTIALITY		APPRVD		DRAWING NO: Wheel Blaster_480-24V_Wiring_ETH_Maple	
		ENG. INFO	XXXX	SIZE:	SCALE: NONE
<small>THIS DRAWING MUST NOT BE DISCLOSED TO ANY THIRD PARTY WITHOUT THE EXPRESS WRITTEN PERMISSION OF INNOVATE IT CAR WASH EQUIPMENT.</small>		DO NOT SCALE DWG.		REV: 02	

01
02
03
04
05
06
07
08
09
10
11
12
13
14
15
16
17
18
19
20
21
22
23
24
25
26
27
28
29
30
31
32
33
34

35
36
37
38
39
40
41
42
43
44
45
46
47
48
49
50
51
52
53
54
55
56
57
58
59
60
61
62
63
64
65
66
67
68



03			
02			
01	CJH	Drawing released	5/18/22
REV	BY	DESCRIPTION	DATE

THIS DRAWING IS THE PROPERTY OF INNOVATEIT		APPROVALS	DATE	INNOVATE IT CAR WASH EQUIPMENT	
THIS DRAWING MUST NOT BE COPIED WITHOUT EXPRESS WRITTEN PERMISSION OF INNOVATE IT CAR WASH EQUIPMENT. DESIGN RIGHT ALL DESIGN RIGHTS RECORDED IN THIS DESIGN DOCUMENT ARE THE PROPERTY OF INNOVATE IT CAR WASH EQUIPMENT. THE DESIGN MUST NOT BE REPRODUCED WITHOUT EXPRESS WRITTEN PERMISSION OF INNOVATE IT CAR WASH EQUIPMENT. CONFIDENTIALITY THIS DRAWING MUST NOT BE DISCLOSED TO ANY THIRD PARTY WITHOUT THE EXPRESS WRITTEN PERMISSION OF INNOVATE IT CAR WASH EQUIPMENT.		DRAWN CJH	5/18/22	PROJECT: Wheel Blaster	
		CHKD		TITLE: Ethernet Connections	
		APPRVD		DRAWING NO: Wheel Blaster_480 -24V_Wiring_ETH_Maple	
		ENG. INFO	XXXX	SIZE:	SCALE: NONE
		DO NOT SCALE DWG.		SHEET: PAGE 10 OF 10	REV: 02

