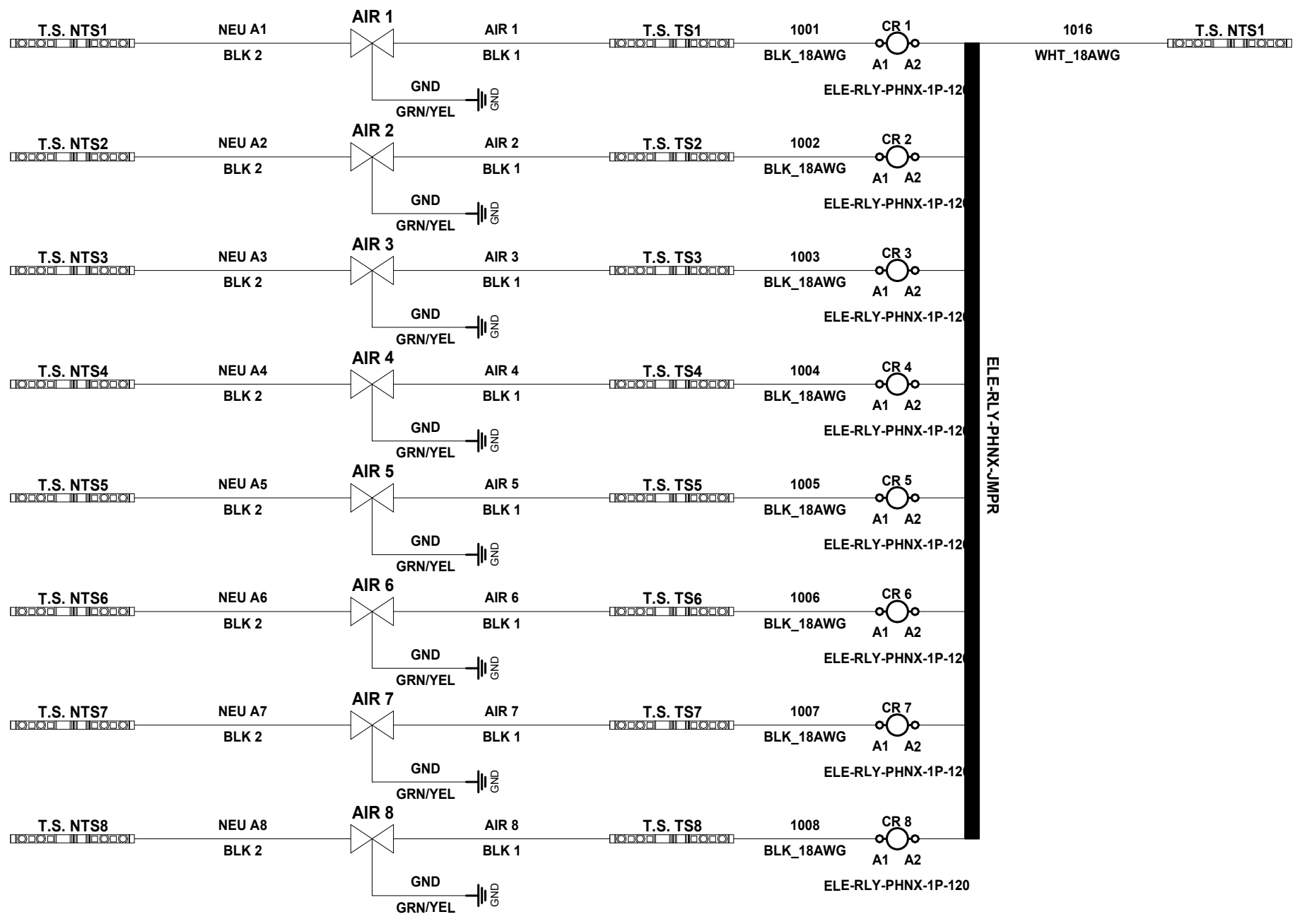


01
02
03
04
05
06
07
08
09
10
11
12
13
14
15
16
17
18
19
20
21
22
23
24
25
26
27
28
29
30
31
32
33
34

35
36
37
38
39
40
41
42
43
44
45
46
47
48
49
50
51
52
53
54
55
56
57
58
59
60
61
62
63
64
65
66
67
68



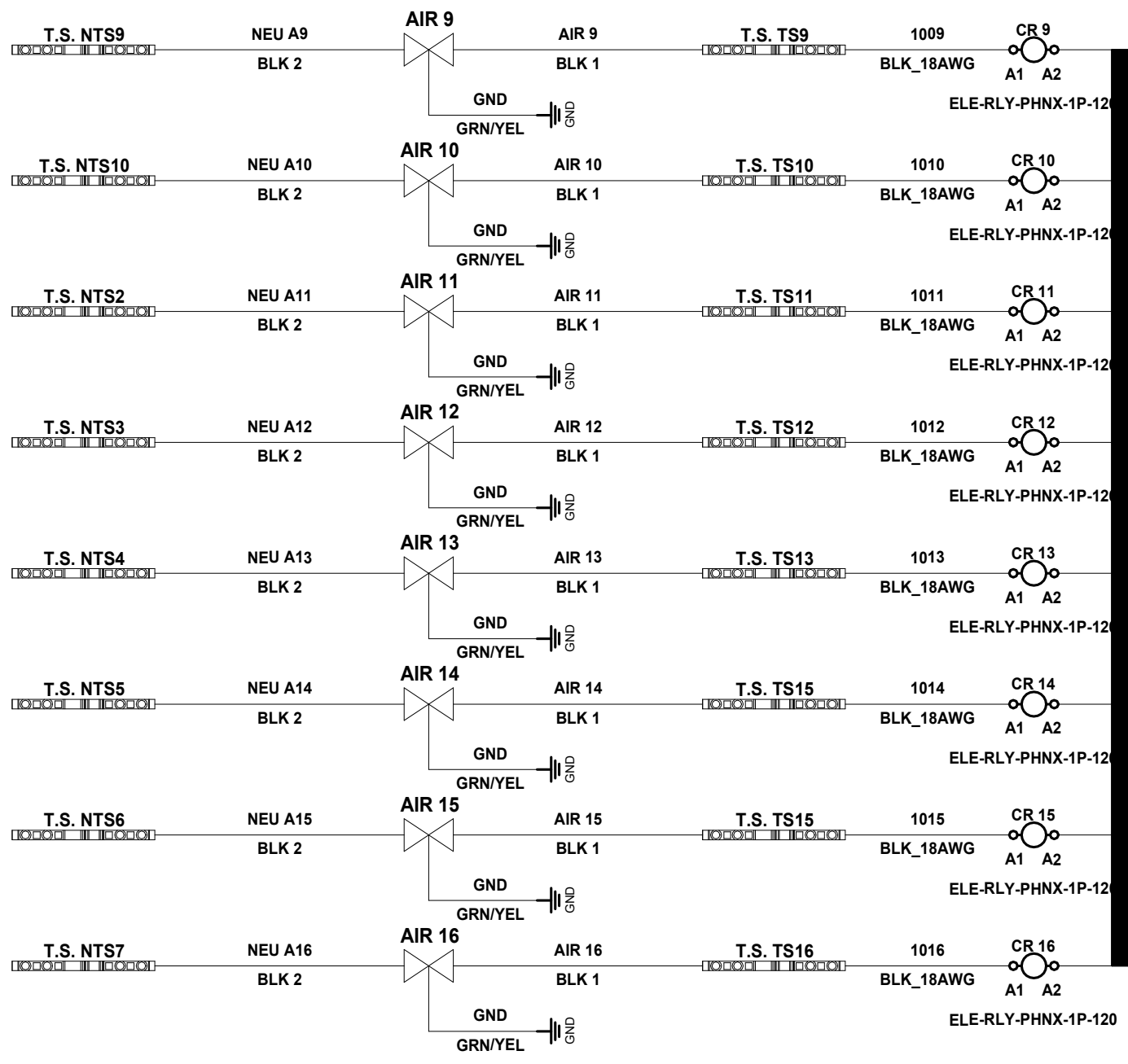
03			
02			
01	CJH	Drawing released	5/26/22
REV	BY	DESCRIPTION	DATE

THIS DRAWING IS THE PROPERTY OF

 THIS DRAWING MUST NOT BE COPIED WITHOUT EXPRESS WRITTEN PERMISSION OF INNOVATE IT CAR WASH EQUIPMENT
 DESIGN RIGHT
 ALL DESIGN RIGHTS RESERVED IN THIS DESIGN DOCUMENT ARE THE PROPERTY OF INNOVATE IT CAR WASH EQUIPMENT. THE DESIGN MUST NOT BE REPRODUCED WITHOUT EXPRESS WRITTEN PERMISSION OF INNOVATE IT CAR WASH EQUIPMENT.
 CONFIDENTIALITY
 THIS DRAWING MUST NOT BE DISCLOSED TO ANY THIRD PARTY WITHOUT THE EXPRESS WRITTEN PERMISSION OF INNOVATE IT CAR WASH EQUIPMENT.

APPROVALS	DATE	INNOVATE IT CAR WASH EQUIPMENT	
DRAWN CJH	5/26/22	PROJECT: 20F dispenseIT 120v (No SMC)	
CHKD		TITLE: Air Solenoids 1-8	
APPRVD		DRAWING NO: XXXX	
ENG.INFO	XXXX	SIZE:	SCALE: NONE
DO NOT SCALE DWG.		SHEET:	REV: PAGE 1 OF 7

01
02
03
04
05
06
07
08
09
10
11
12
13
14
15
16
17
18
19
20
21
22
23
24
25
26
27
28
29
30
31
32
33
34



ELE-RLY-PHNX-JMPR

35
36
37
38
39
40
41
42
43
44
45
46
47
48
49
50
51
52
53
54
55
56
57
58
59
60
61
62
63
64
65
66
67
68

03			
02			
01	CJH	Drawing released	5/26/22
REV	BY	DESCRIPTION	DATE

THIS DRAWING IS THE PROPERTY OF

THIS DRAWING MUST NOT BE COPIED WITHOUT EXPRESS WRITTEN PERMISSION OF INNOVATE IT CAR WASH EQUIPMENT.

DESIGN RIGHT

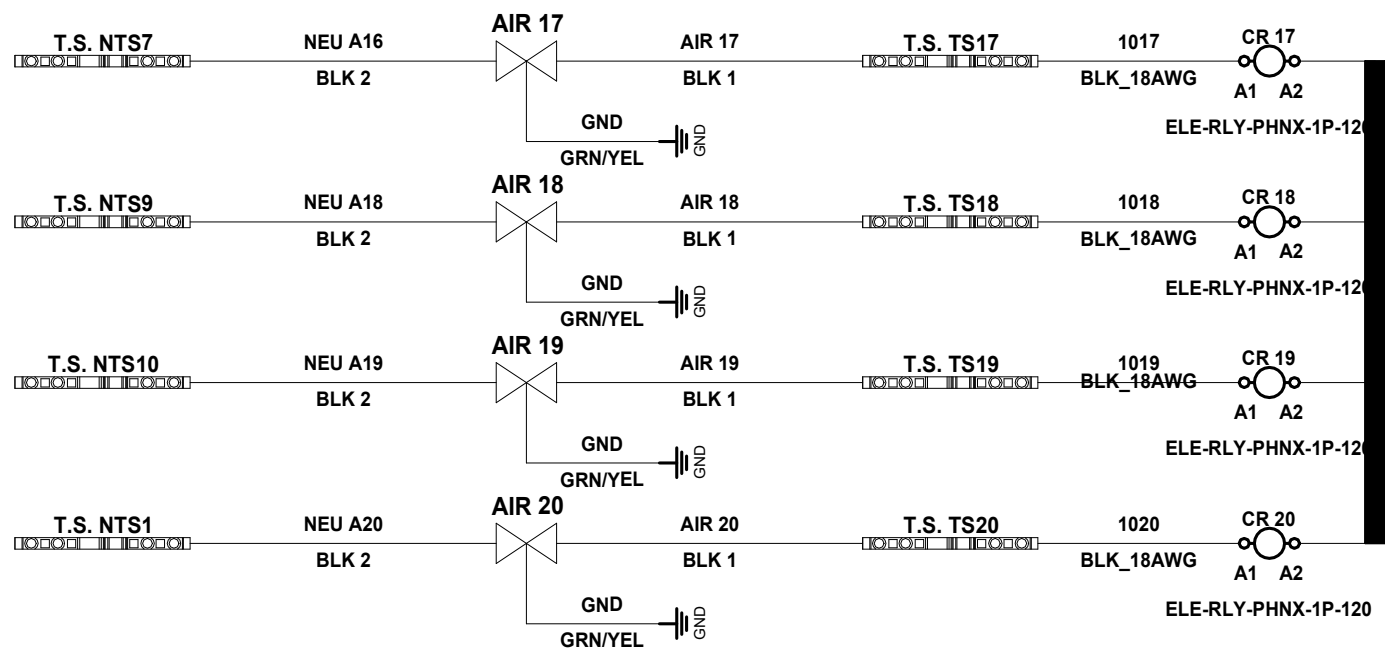
ALL DESIGN RIGHTS RESERVED IN THIS DESIGN DOCUMENT ARE THE PROPERTY OF INNOVATE IT CAR WASH EQUIPMENT. THE DESIGN MUST NOT BE REPRODUCED WITHOUT EXPRESS WRITTEN PERMISSION OF INNOVATE IT CAR WASH EQUIPMENT.

CONFIDENTIALITY

THIS DRAWING MUST NOT BE DISCLOSED TO ANY THIRD PARTY WITHOUT THE EXPRESS WRITTEN PERMISSION OF INNOVATE IT CAR WASH EQUIPMENT.

APPROVALS	DATE	INNOVATE IT CAR WASH EQUIPMENT	
DRAWN CJH	5/26/22	PROJECT: 20F dispenseIT 120v (No SMC)	
CHKD		TITLE: Air Solenoids 9-16	
APPRVD		DRAWING NO: xxxxx	
ENG.INFO	XXXX	SIZE:	SCALE: NONE
DO NOT SCALE DWG.		SHEET: PAGE 2 OF 7	REV:

01
02
03
04
05
06
07
08
09
10
11
12
13
14
15
16
17
18
19
20
21
22
23
24
25
26
27
28
29
30
31
32
33
34



ELE-RLY-PHNX-JMPR

35
36
37
38
39
40
41
42
43
44
45
46
47
48
49
50
51
52
53
54
55
56
57
58
59
60
61
62
63
64
65
66
67
68

REV	BY	DESCRIPTION	DATE
03			
02			
01	C.JH	Drawing released	5/26/22

THIS DRAWING IS THE PROPERTY OF

THIS DRAWING MUST NOT BE COPIED WITHOUT EXPRESS WRITTEN PERMISSION OF INNOVATE IT CAR WASH EQUIPMENT.

DESIGN RIGHT

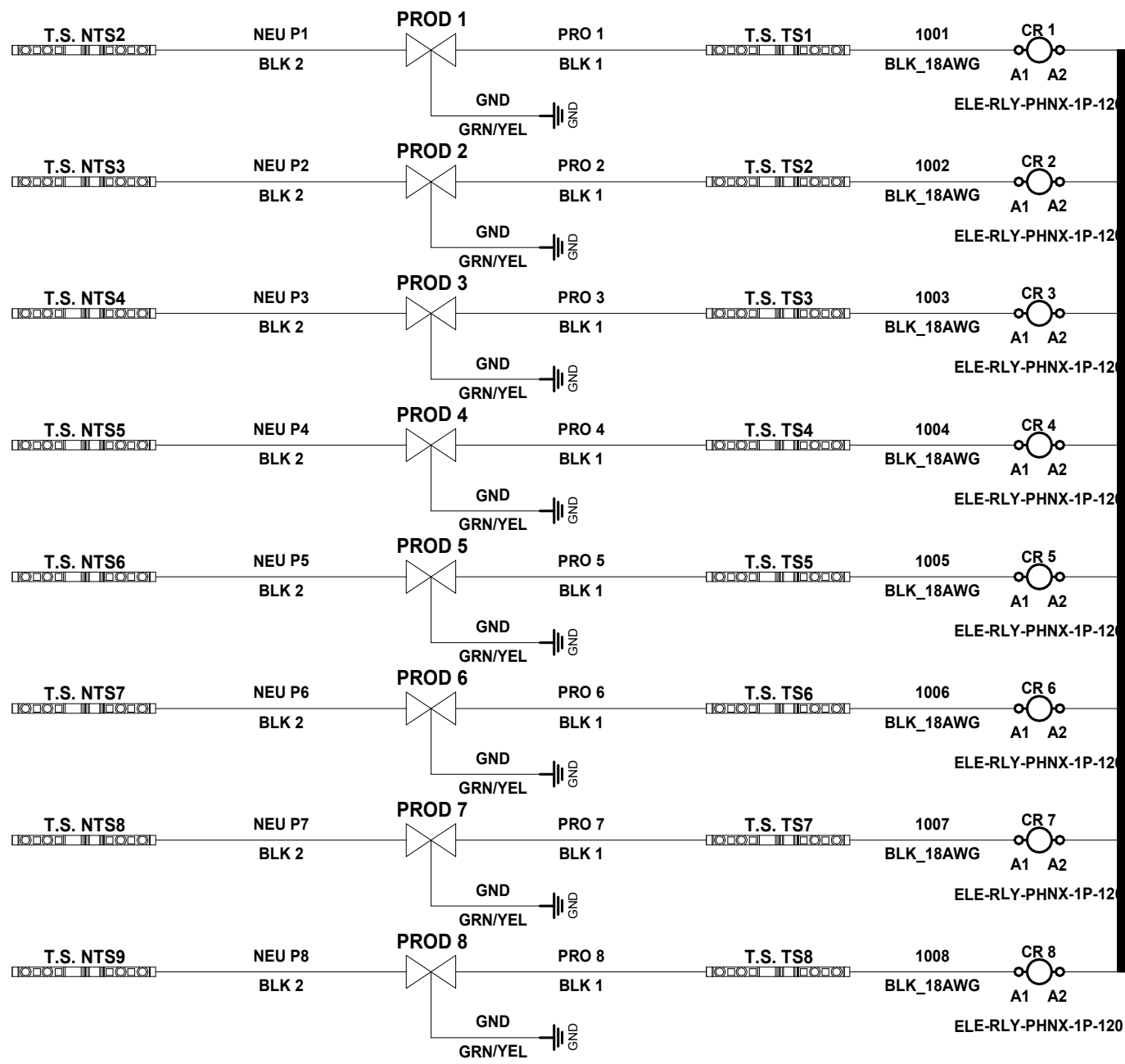
ALL DESIGN RIGHTS RECORDED IN THIS DESIGN DOCUMENT ARE THE PROPERTY OF INNOVATE IT CAR WASH EQUIPMENT. THE DESIGN MUST NOT BE REPRODUCED WITHOUT EXPRESS WRITTEN PERMISSION OF INNOVATE IT CAR WASH EQUIPMENT.

CONFIDENTIALITY

THIS DRAWING MUST NOT BE DISCLOSED TO ANY THIRD PARTY WITHOUT THE EXPRESS WRITTEN PERMISSION OF INNOVATE IT CAR WASH EQUIPMENT.

APPROVALS	DATE	INNOVATE IT CAR WASH EQUIPMENT	
DRAWN C.JH	5/26/22	PROJECT: 20F dispenseIT 120v (No SMC)	
CHKD		TITLE: Air Solenoids 17-20	
APPRVD		DRAWING NO: xxxx	
ENG. INFO	XXXX	SIZE: DO NOT SCALE DWG.	SCALE: NONE
		SHEET: PAGE 3 OF 7	REV:

01
02
03
04
05
06
07
08
09
10
11
12
13
14
15
16
17
18
19
20
21
22
23
24
25
26
27
28
29
30
31
32
33
34



ELE-RLY-PHNX-JIMPR

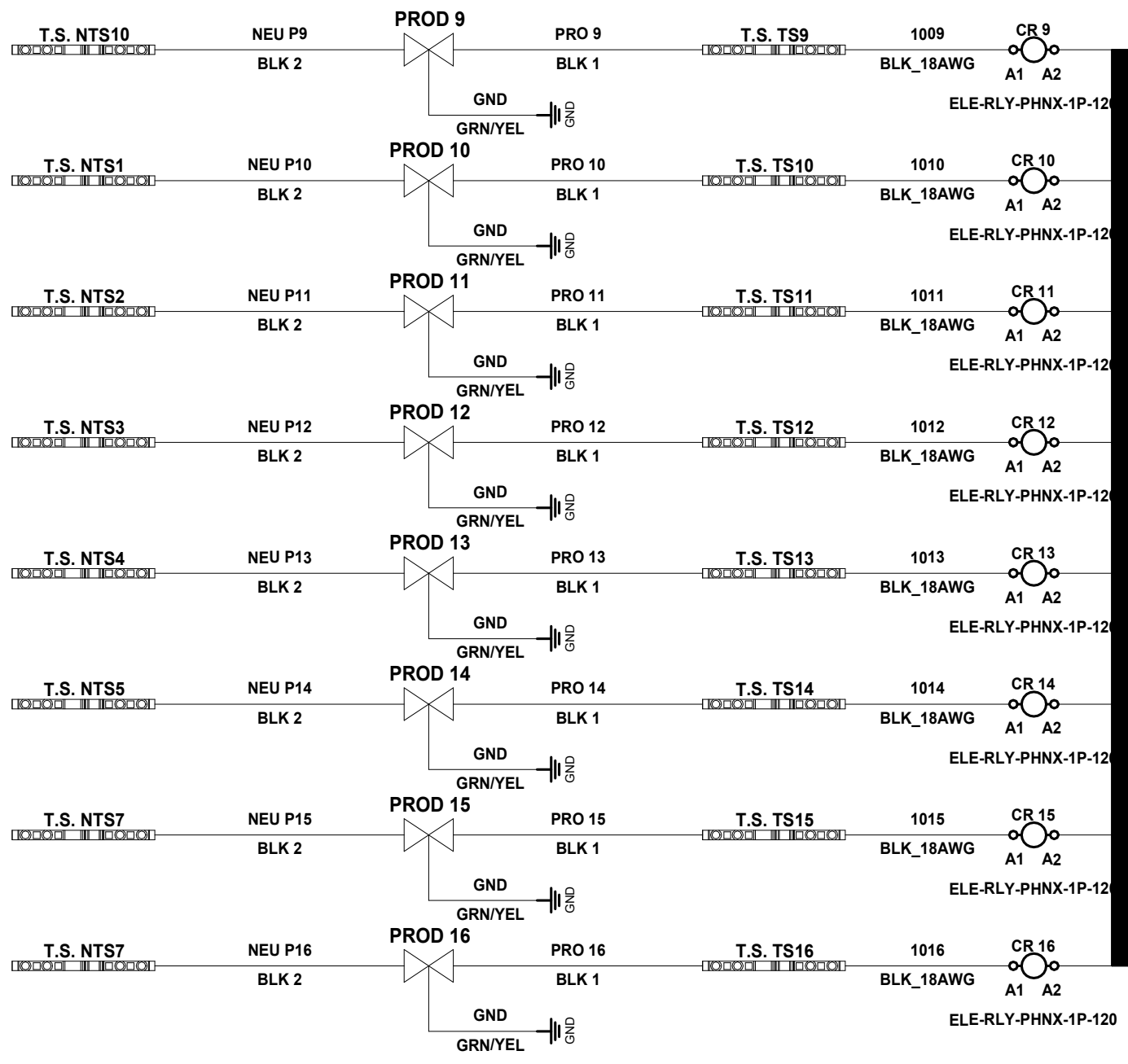
35
36
37
38
39
40
41
42
43
44
45
46
47
48
49
50
51
52
53
54
55
56
57
58
59
60
61
62
63
64
65
66
67
68

03			
02			
01	CJH	Drawing released	5/26/22
REV	BY	DESCRIPTION	DATE

THIS DRAWING IS THE PROPERTY OF
INNOVATEIT
THIS DRAWING MUST NOT BE COPIED WITHOUT EXPRESS WRITTEN PERMISSION OF INNOVATE IT CAR WASH EQUIPMENT.
DESIGN RIGHT
ALL DESIGN RIGHTS RESERVED IN THIS DESIGN DOCUMENT ARE THE PROPERTY OF INNOVATE IT CAR WASH EQUIPMENT. THE DESIGN MUST NOT BE REPRODUCED WITHOUT EXPRESS WRITTEN PERMISSION OF INNOVATE IT CAR WASH EQUIPMENT.
CONFIDENTIALITY
THIS DRAWING MUST NOT BE DISCLOSED TO ANY THIRD PARTY WITHOUT THE EXPRESS WRITTEN PERMISSION OF INNOVATE IT CAR WASH EQUIPMENT.

APPROVALS	DATE	INNOVATE IT CAR WASH EQUIPMENT	
DRAWN CJH	5/26/22	PROJECT: 20F dispenseIT 120v (No SMC)	
CHKD		TITLE: Product Solenoids 1-8	
APPRVD		DRAWING NO: XXXX	
ENG.INFO	XXXX	SIZE:	SCALE: NONE
DO NOT SCALE DWG.		SHEET: PAGE 4 OF 7	REV:

01
02
03
04
05
06
07
08
09
10
11
12
13
14
15
16
17
18
19
20
21
22
23
24
25
26
27
28
29
30
31
32
33
34



ELE-RLY-PHNX-JMPR

35
36
37
38
39
40
41
42
43
44
45
46
47
48
49
50
51
52
53
54
55
56
57
58
59
60
61
62
63
64
65
66
67
68

03			
02			
01	CJH	Drawing released	5/26/22
REV	BY	DESCRIPTION	DATE

THIS DRAWING IS THE PROPERTY OF

THIS DRAWING MUST NOT BE COPIED WITHOUT EXPRESS WRITTEN PERMISSION OF INNOVATE IT CAR WASH EQUIPMENT.

DESIGN RIGHT

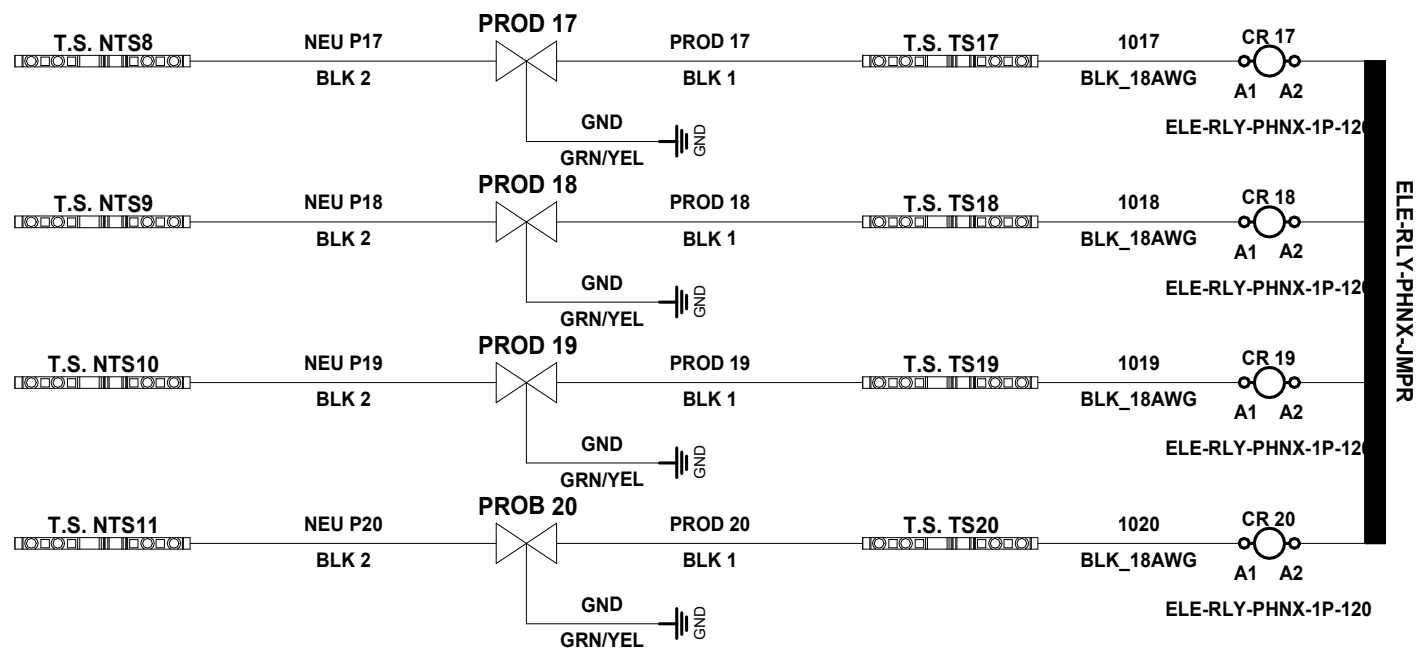
ALL DESIGN RIGHTS RESERVED IN THIS DESIGN DOCUMENT ARE THE PROPERTY OF INNOVATE IT CAR WASH EQUIPMENT. THE DESIGN MUST NOT BE REPRODUCED WITHOUT EXPRESS WRITTEN PERMISSION OF INNOVATE IT CAR WASH EQUIPMENT.

CONFIDENTIALITY

THIS DRAWING MUST NOT BE DISCLOSED TO ANY THIRD PARTY WITHOUT THE EXPRESS WRITTEN PERMISSION OF INNOVATE IT CAR WASH EQUIPMENT.

APPROVALS	DATE	INNOVATE IT CAR WASH EQUIPMENT	
DRAWN CJH	5/26/22	PROJECT: 20F dispenseIT 120v (No SMC)	
CHKD		TITLE: Product Solenoids 9-16	
APPRVD		DRAWING NO: xxxxx	
ENG. INFO	XXXX	SIZE:	SCALE: NONE
DO NOT SCALE DWG.		SHEET:	REV: PAGE 5 OF 7

01
02
03
04
05
06
07
08
09
10
11
12
13
14
15
16
17
18
19
20
21
22
23
24
25
26
27
28
29
30
31
32
33
34



ELE-RLY-PHNX-JMPR

35
36
37
38
39
40
41
42
43
44
45
46
47
48
49
50
51
52
53
54
55
56
57
58
59
60
61
62
63
64
65
66
67
68

03			
02			
01	C.JH	Drawing released	5/26/22
REV	BY	DESCRIPTION	DATE

THIS DRAWING IS THE PROPERTY OF

THIS DRAWING MUST NOT BE COPIED WITHOUT EXPRESS WRITTEN PERMISSION OF INNOVATE IT CAR WASH EQUIPMENT.

DESIGN RIGHT

ALL DESIGN RIGHTS RECORDED IN THIS DESIGN DOCUMENT ARE THE PROPERTY OF INNOVATE IT CAR WASH EQUIPMENT. THE DESIGN MUST NOT BE REPRODUCED WITHOUT EXPRESS WRITTEN PERMISSION OF INNOVATE IT CAR WASH EQUIPMENT.

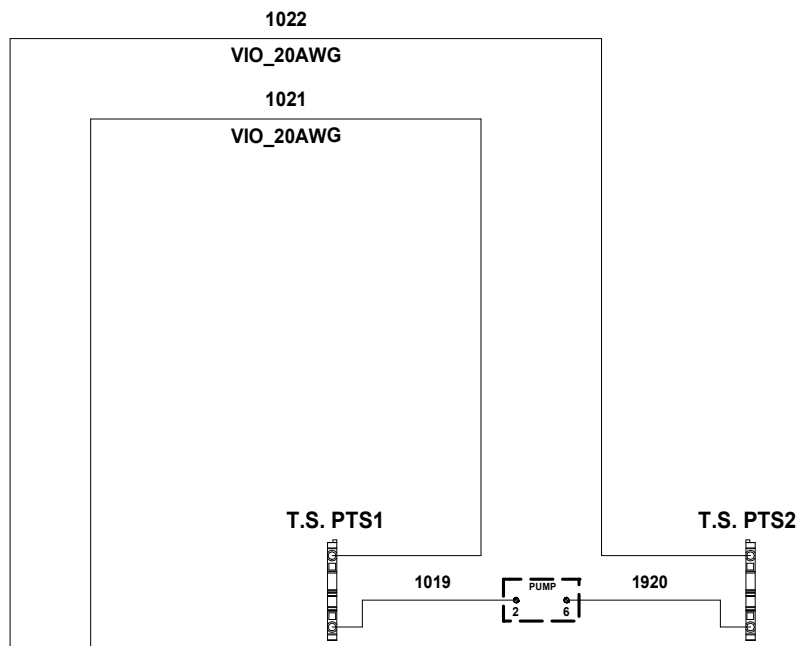
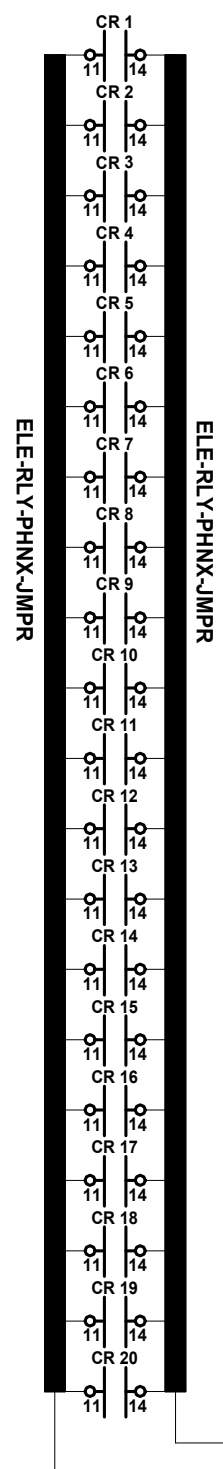
CONFIDENTIALITY

THIS DRAWING MUST NOT BE DISCLOSED TO ANY THIRD PARTY WITHOUT THE EXPRESS WRITTEN PERMISSION OF INNOVATE IT CAR WASH EQUIPMENT.

APPROVALS	DATE	INNOVATE IT CAR WASH EQUIPMENT	
DRAWN C.JH	5/26/22	PROJECT: 20F dispenseIT 120v (No SMC)	
CHKD		TITLE: Product Solenoids 17-20	
APPRVD		DRAWING NO: xxxx	
ENG.INFO	XXXX	SIZE:	SCALE: NONE
DO NOT SCALE DWG.		SHEET:	REV: PAGE 6 OF 7

01
02
03
04
05
06
07
08
09
10
11
12
13
14
15
16
17
18
19
20
21
22
23
24
25
26
27
28
29
30
31
32
33
34

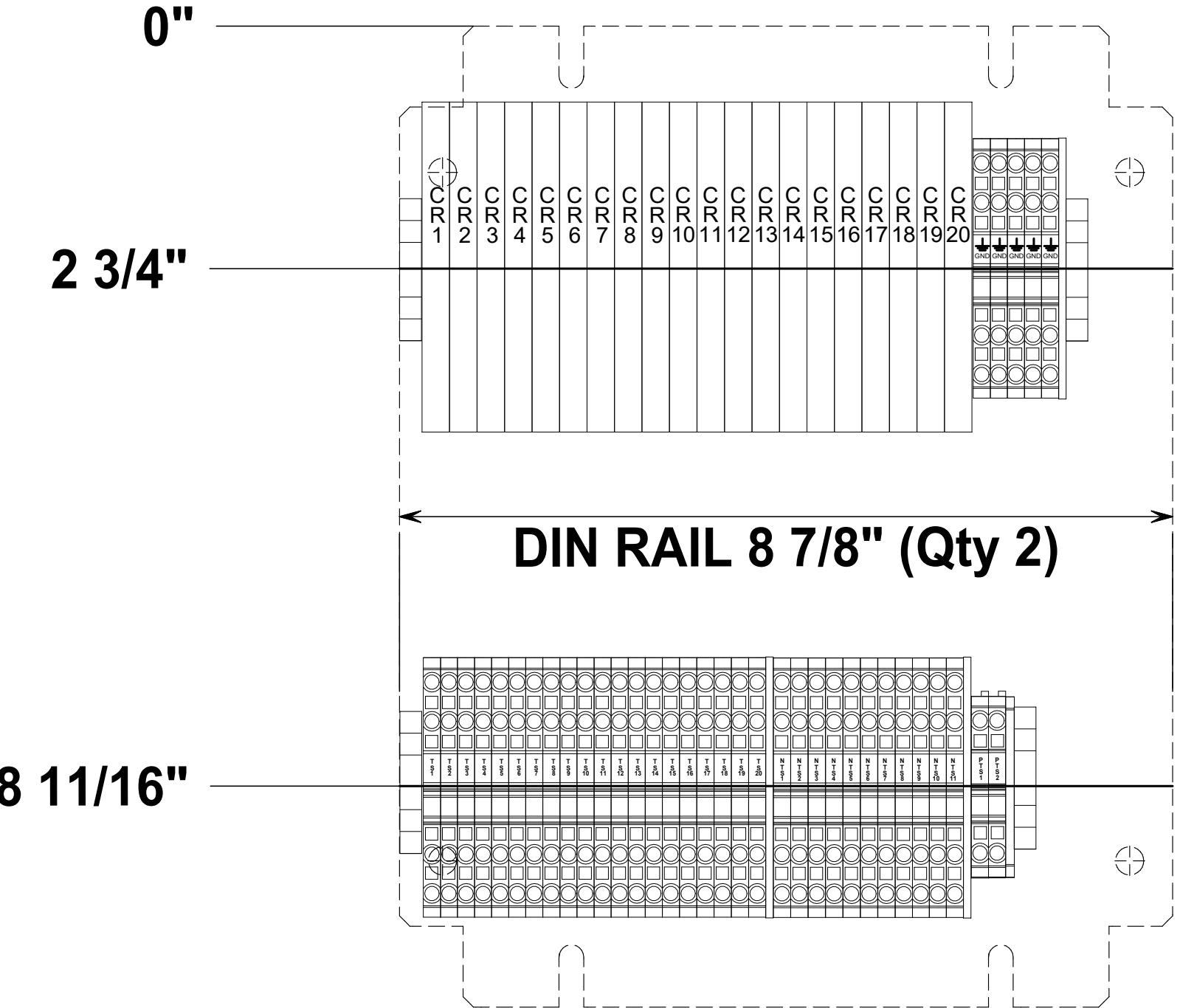
35
36
37
38
39
40
41
42
43
44
45
46
47
48
49
50
51
52
53
54
55
56
57
58
59
60
61
62
63
64
65
66
67
68



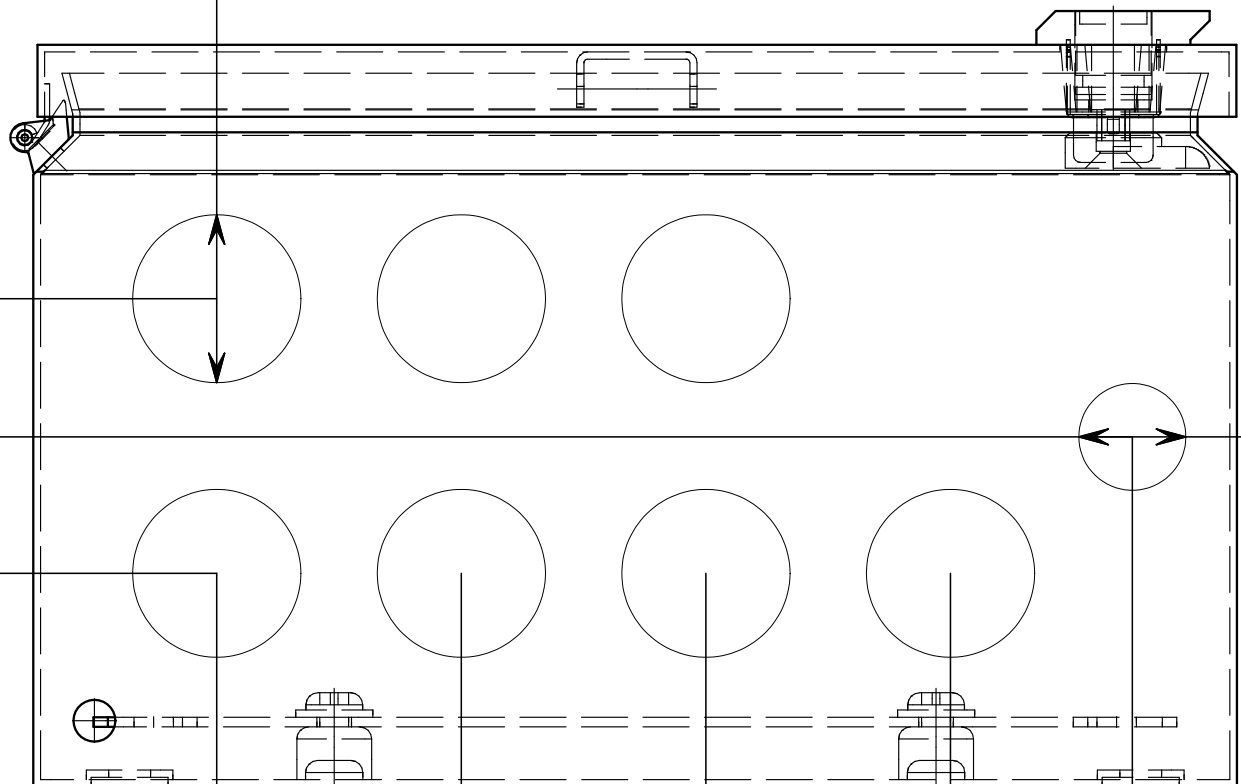
03			
02			
01	CJH	Drawing released	5/26/22
REV	BY	DESCRIPTION	DATE

THIS DRAWING IS THE PROPERTY OF		APPROVALS	DATE	INNOVATE IT CAR WASH EQUIPMENT	
		DRAWN	5/26/22		
		THIS DRAWING MUST NOT BE COPIED WITHOUT EXPRESS WRITTEN PERMISSION OF INNOVATE IT CAR WASH EQUIPMENT.		PROJECT:	20F dispenseIT 120v (No SMC)
DESIGN RIGHT		CHKD		TITLE:	Control Relays 1-20
ALL DESIGN RIGHTS RECORDED IN THIS DESIGN DOCUMENT ARE THE PROPERTY OF INNOVATE IT CAR WASH EQUIPMENT. THE DESIGN MUST NOT BE REPRODUCED WITHOUT EXPRESS WRITTEN PERMISSION OF INNOVATE IT CAR WASH EQUIPMENT.		APPRVD		DRAWING NO:	xxxx
CONFIDENTIALITY		ENG. INFO	XXXX	SIZE:	
THIS DRAWING MUST NOT BE DISCLOSED TO ANY THIRD PARTY WITHOUT THE EXPRESS WRITTEN PERMISSION OF INNOVATE IT CAR WASH EQUIPMENT.		DO NOT SCALE DWG.		SCALE:	NONE
				SHEET:	PAGE 7 OF 7
				REV:	

ELE-ENCL-12106-RITTAL



1 3/8" (Qty 6)



4"

2 7/8"

1 3/4"

0"

0"

1 1/2"

3 1/2"

5 1/2"

7 1/2"

9"

Ø 7/8"