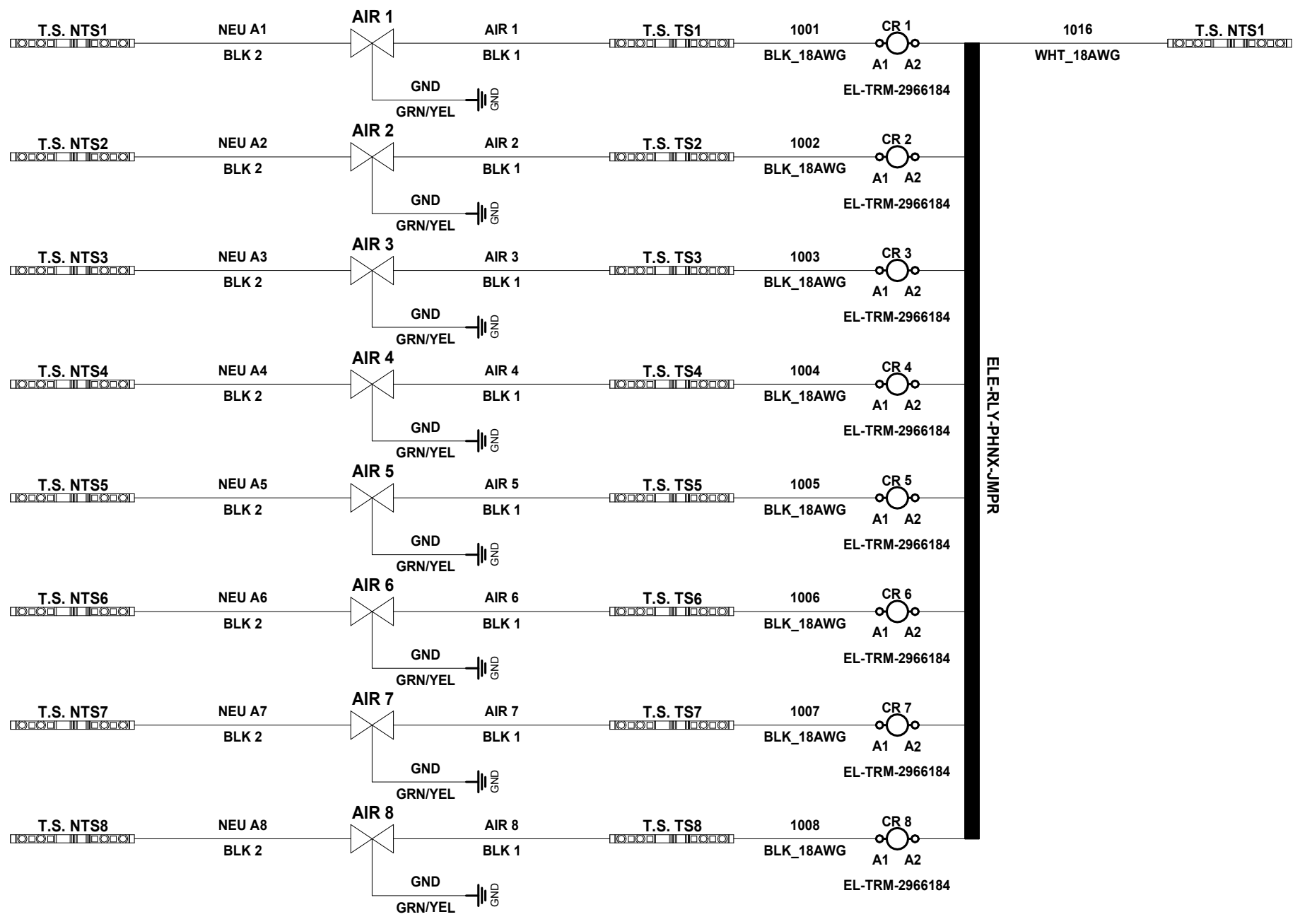


01  
02  
03  
04  
05  
06  
07  
08  
09  
10  
11  
12  
13  
14  
15  
16  
17  
18  
19  
20  
21  
22  
23  
24  
25  
26  
27  
28  
29  
30  
31  
32  
33  
34

35  
36  
37  
38  
39  
40  
41  
42  
43  
44  
45  
46  
47  
48  
49  
50  
51  
52  
53  
54  
55  
56  
57  
58  
59  
60  
61  
62  
63  
64  
65  
66  
67  
68



REV	BY	DESCRIPTION	DATE
03			
02			
01	CJH	Drawing released	5/26/22

THIS DRAWING IS THE PROPERTY OF

THIS DRAWING MUST NOT BE COPIED WITHOUT EXPRESS WRITTEN PERMISSION OF INNOVATE IT CAR WASH EQUIPMENT.

DESIGN RIGHT

ALL DESIGN RIGHTS RESERVED IN THIS DESIGN DOCUMENT ARE THE PROPERTY OF INNOVATE IT CAR WASH EQUIPMENT. THE DESIGN MUST NOT BE REPRODUCED WITHOUT EXPRESS WRITTEN PERMISSION OF INNOVATE IT CAR WASH EQUIPMENT.

CONFIDENTIALITY

THIS DRAWING MUST NOT BE DISCLOSED TO ANY THIRD PARTY WITHOUT THE EXPRESS WRITTEN PERMISSION OF INNOVATE IT CAR WASH EQUIPMENT.

APPROVALS	DATE	INNOVATE IT CAR WASH EQUIPMENT	
DRAWN CJH	5/26/22	PROJECT: 20F dispenseIT 24v (No SMC)	
CHKD		TITLE: Air Solenoids 1-8	
APPRVD		DRAWING NO: XXXX	
ENG.INFO	XXXX	SIZE:	SCALE: NONE
DO NOT SCALE DWG.		SHEET: PAGE 1 OF 7	REV:

01  
02  
03  
04  
05  
06  
07  
08  
09  
10  
11  
12  
13  
14  
15  
16  
17  
18  
19  
20  
21  
22  
23  
24  
25  
26  
27  
28  
29  
30  
31  
32  
33  
34



ELE-RLY-PHNX-JIMPR

35  
36  
37  
38  
39  
40  
41  
42  
43  
44  
45  
46  
47  
48  
49  
50  
51  
52  
53  
54  
55  
56  
57  
58  
59  
60  
61  
62  
63  
64  
65  
66  
67  
68

03			
02			
01	CJH	Drawing released	5/26/22
REV	BY	DESCRIPTION	DATE

THIS DRAWING IS THE PROPERTY OF

THIS DRAWING MUST NOT BE COPIED WITHOUT EXPRESS WRITTEN PERMISSION OF INNOVATE IT CAR WASH EQUIPMENT.

DESIGN RIGHT

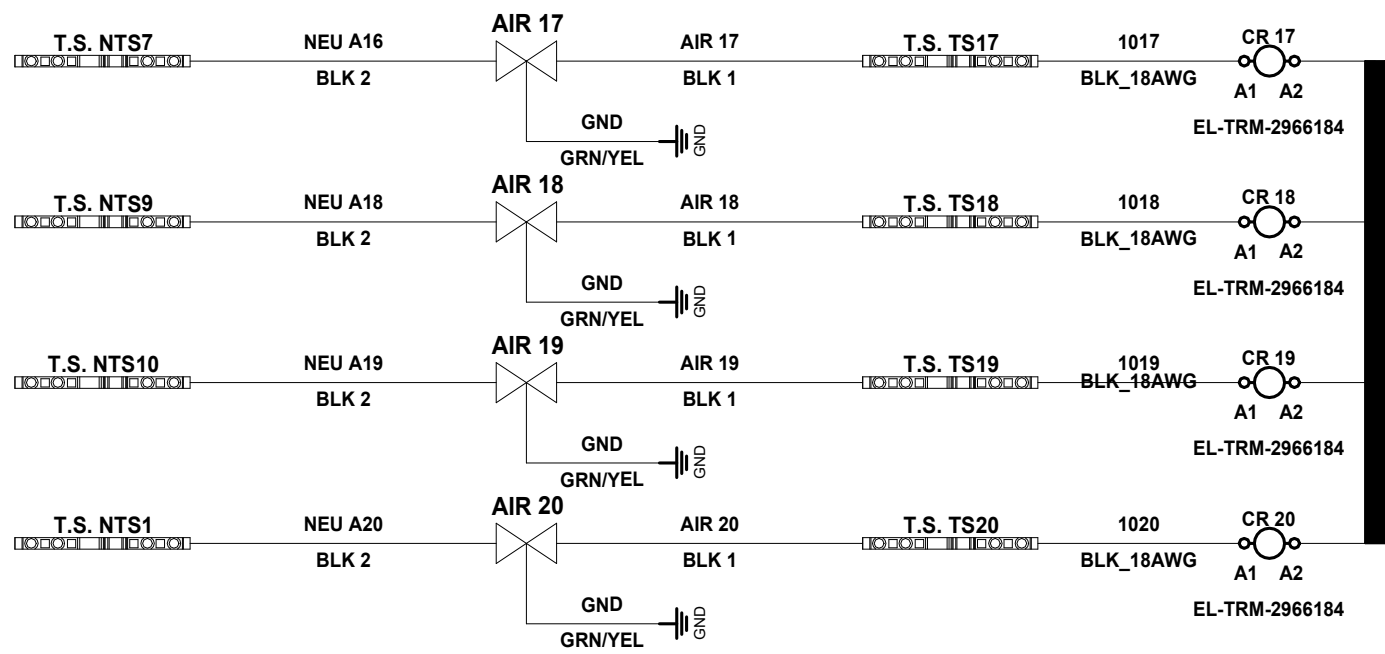
ALL DESIGN RIGHTS RESERVED IN THIS DESIGN DOCUMENT ARE THE PROPERTY OF INNOVATE IT CAR WASH EQUIPMENT. THE DESIGN MUST NOT BE REPRODUCED WITHOUT EXPRESS WRITTEN PERMISSION OF INNOVATE IT CAR WASH EQUIPMENT.

CONFIDENTIALITY

THIS DRAWING MUST NOT BE DISCLOSED TO ANY THIRD PARTY WITHOUT THE EXPRESS WRITTEN PERMISSION OF INNOVATE IT CAR WASH EQUIPMENT.

APPROVALS	DATE	INNOVATE IT CAR WASH EQUIPMENT	
DRAWN CJH	5/26/22	PROJECT: 20F dispenseIT 24v (No SMC)	
CHKD		TITLE: Air Solenoids 9-16	
APPRVD		DRAWING NO: xxxxx	
ENG.INFO	XXXX	SIZE:	SCALE: NONE
DO NOT SCALE DWG.		SHEET: PAGE 2 OF 7	REV:

01  
02  
03  
04  
05  
06  
07  
08  
09  
10  
11  
12  
13  
14  
15  
16  
17  
18  
19  
20  
21  
22  
23  
24  
25  
26  
27  
28  
29  
30  
31  
32  
33  
34



ELE-RLY-PHNX-JMPR

35  
36  
37  
38  
39  
40  
41  
42  
43  
44  
45  
46  
47  
48  
49  
50  
51  
52  
53  
54  
55  
56  
57  
58  
59  
60  
61  
62  
63  
64  
65  
66  
67  
68

REV	BY	DESCRIPTION	DATE
03			
02			
01	C.JH	Drawing released	5/26/22

THIS DRAWING IS THE PROPERTY OF

THIS DRAWING MUST NOT BE COPIED WITHOUT EXPRESS WRITTEN PERMISSION OF INNOVATE IT CAR WASH EQUIPMENT.

DESIGN RIGHT

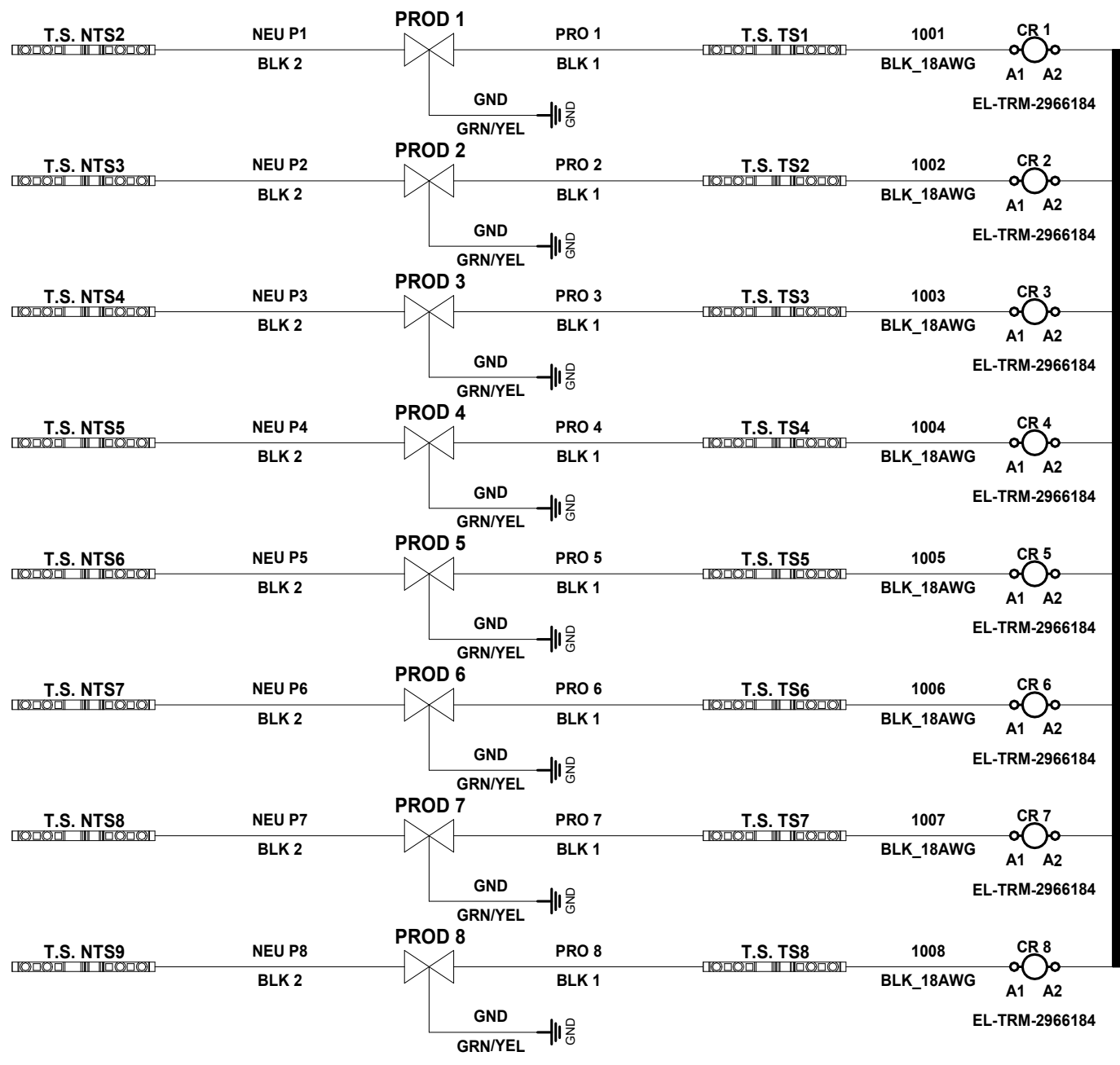
ALL DESIGN RIGHTS RECORDED IN THIS DESIGN DOCUMENT ARE THE PROPERTY OF INNOVATE IT CAR WASH EQUIPMENT. THE DESIGN MUST NOT BE REPRODUCED WITHOUT EXPRESS WRITTEN PERMISSION OF INNOVATE IT CAR WASH EQUIPMENT.

CONFIDENTIALITY

THIS DRAWING MUST NOT BE DISCLOSED TO ANY THIRD PARTY WITHOUT THE EXPRESS WRITTEN PERMISSION OF INNOVATE IT CAR WASH EQUIPMENT.

APPROVALS	DATE	INNOVATE IT CAR WASH EQUIPMENT	
DRAWN C.JH	5/26/22	PROJECT:	20F dispenseIT 24v (No SMC)
CHKD		TITLE:	Air Solenoids 17-20
APPRVD		DRAWING NO:	xxxx
ENG.INFO	XXXX	SIZE:	SCALE:
DO NOT SCALE DWG.	NONE	SHEET:	PAGE 3 OF 7
		REV:	

01  
02  
03  
04  
05  
06  
07  
08  
09  
10  
11  
12  
13  
14  
15  
16  
17  
18  
19  
20  
21  
22  
23  
24  
25  
26  
27  
28  
29  
30  
31  
32  
33  
34



ELE-RLY-PHNX-JIMPR

35  
36  
37  
38  
39  
40  
41  
42  
43  
44  
45  
46  
47  
48  
49  
50  
51  
52  
53  
54  
55  
56  
57  
58  
59  
60  
61  
62  
63  
64  
65  
66  
67  
68

03			
02			
01	CJH	Drawing released	5/26/22
REV	BY	DESCRIPTION	DATE

THIS DRAWING IS THE PROPERTY OF

THIS DRAWING MUST NOT BE COPIED WITHOUT EXPRESS WRITTEN PERMISSION OF INNOVATE IT CAR WASH EQUIPMENT.

DESIGN RIGHT

ALL DESIGN RIGHTS RESERVED IN THIS DESIGN DOCUMENT ARE THE PROPERTY OF INNOVATE IT CAR WASH EQUIPMENT. THE DESIGN MUST NOT BE REPRODUCED WITHOUT EXPRESS WRITTEN PERMISSION OF INNOVATE IT CAR WASH EQUIPMENT.

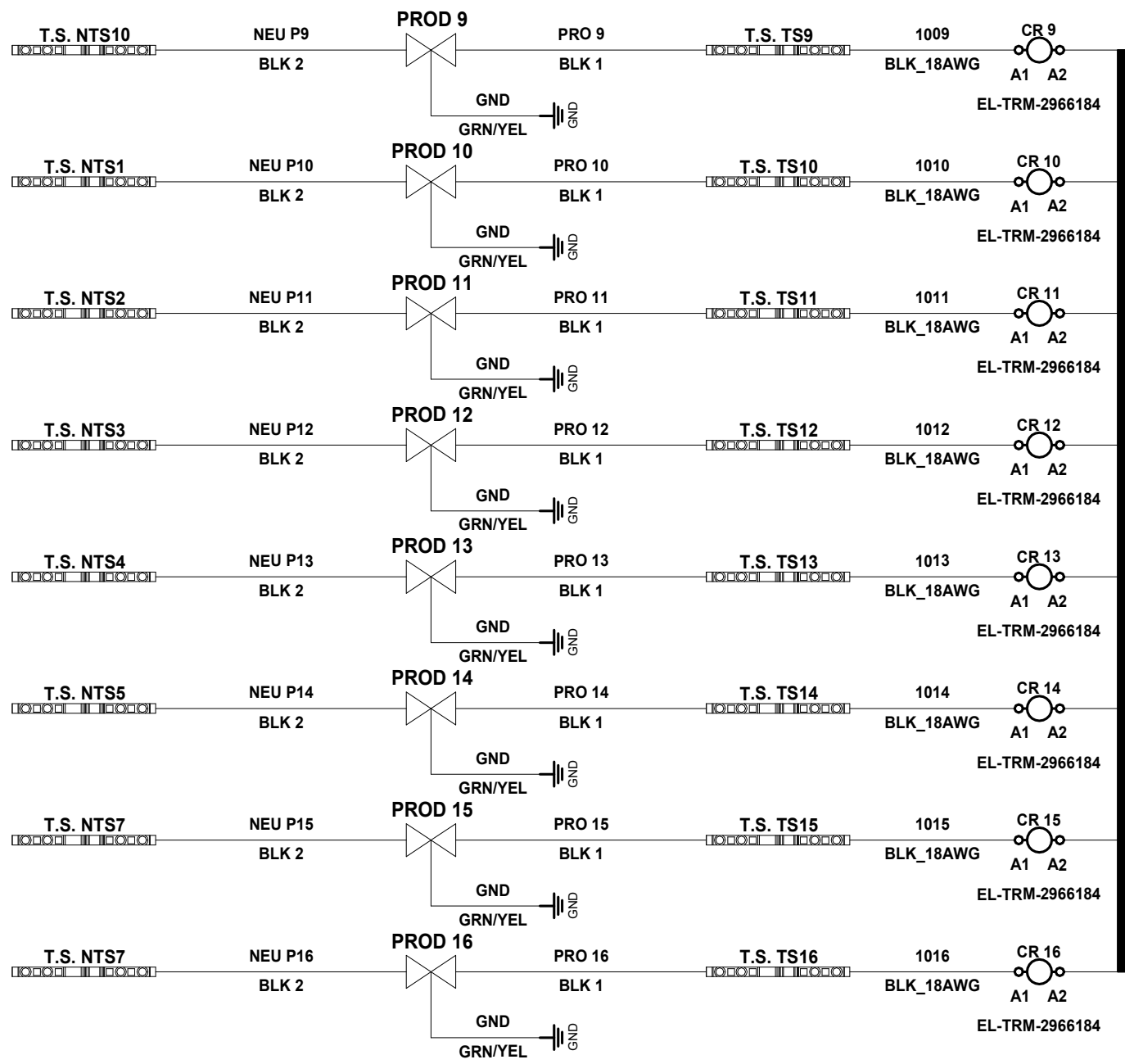
CONFIDENTIALITY

THIS DRAWING MUST NOT BE DISCLOSED TO ANY THIRD PARTY WITHOUT THE EXPRESS WRITTEN PERMISSION OF INNOVATE IT CAR WASH EQUIPMENT.

APPROVALS	DATE	INNOVATE IT CAR WASH EQUIPMENT	
DRAWN CJH	5/26/22	PROJECT: 20F dispenseIT 24v (No SMC)	
CHKD		TITLE: Product Solenoids 1-8	
APPRVD		DRAWING NO: XXXX	
ENG.INFO	XXXX	SIZE:	SCALE: NONE
DO NOT SCALE DWG.		SHEET: PAGE 4 OF 7	REV:

01  
02  
03  
04  
05  
06  
07  
08  
09  
10  
11  
12  
13  
14  
15  
16  
17  
18  
19  
20  
21  
22  
23  
24  
25  
26  
27  
28  
29  
30  
31  
32  
33  
34

35  
36  
37  
38  
39  
40  
41  
42  
43  
44  
45  
46  
47  
48  
49  
50  
51  
52  
53  
54  
55  
56  
57  
58  
59  
60  
61  
62  
63  
64  
65  
66  
67  
68



ELE-RLY-PHNX-JIMPR

03			
02			
01	CJH	Drawing released	5/26/22
REV	BY	DESCRIPTION	DATE

THIS DRAWING IS THE PROPERTY OF

THIS DRAWING MUST NOT BE COPIED WITHOUT EXPRESS WRITTEN PERMISSION OF INNOVATE IT CAR WASH EQUIPMENT.

DESIGN RIGHT

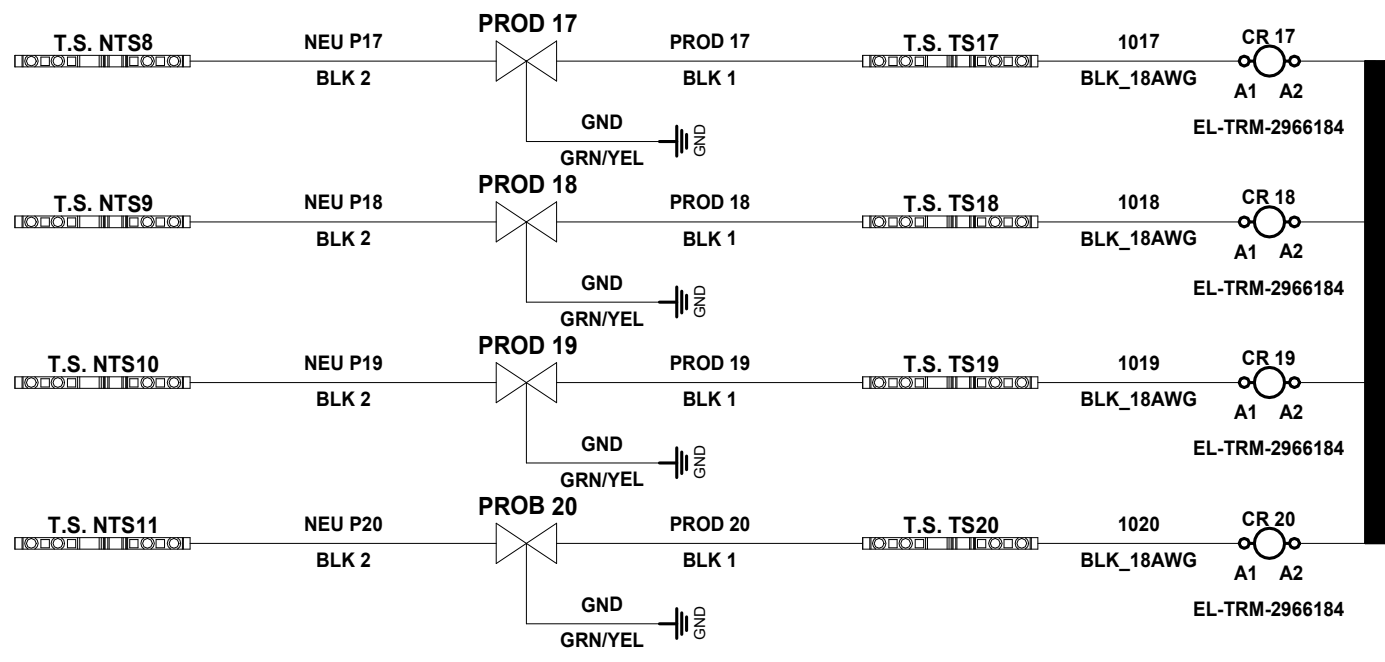
ALL DESIGN RIGHTS RESERVED IN THIS DESIGN DOCUMENT ARE THE PROPERTY OF INNOVATE IT CAR WASH EQUIPMENT. THE DESIGN MUST NOT BE REPRODUCED WITHOUT EXPRESS WRITTEN PERMISSION OF INNOVATE IT CAR WASH EQUIPMENT.

CONFIDENTIALITY

THIS DRAWING MUST NOT BE DISCLOSED TO ANY THIRD PARTY WITHOUT THE EXPRESS WRITTEN PERMISSION OF INNOVATE IT CAR WASH EQUIPMENT.

APPROVALS	DATE	INNOVATE IT CAR WASH EQUIPMENT	
DRAWN CJH	5/26/22	PROJECT: 20F dispenseIT 24v (No SMC)	
CHKD		TITLE: Product Solenoids 9-16	
APPRVD		DRAWING NO: xxxxx	
ENG. INFO	XXXX	SIZE:	SCALE: NONE
DO NOT SCALE DWG.		SHEET:	REV: PAGE 5 OF 7

01  
02  
03  
04  
05  
06  
07  
08  
09  
10  
11  
12  
13  
14  
15  
16  
17  
18  
19  
20  
21  
22  
23  
24  
25  
26  
27  
28  
29  
30  
31  
32  
33  
34



ELE-RLY-PHNX-JMPR

35  
36  
37  
38  
39  
40  
41  
42  
43  
44  
45  
46  
47  
48  
49  
50  
51  
52  
53  
54  
55  
56  
57  
58  
59  
60  
61  
62  
63  
64  
65  
66  
67  
68

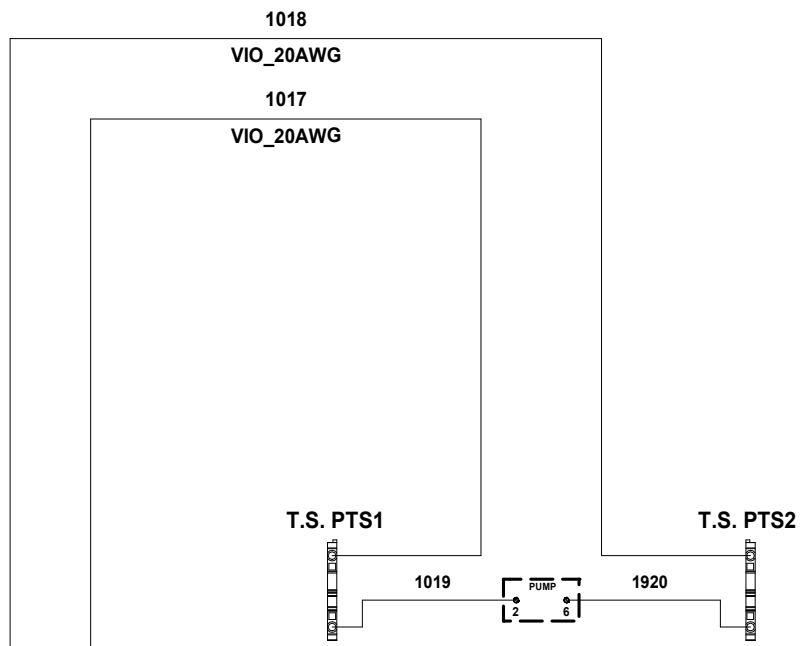
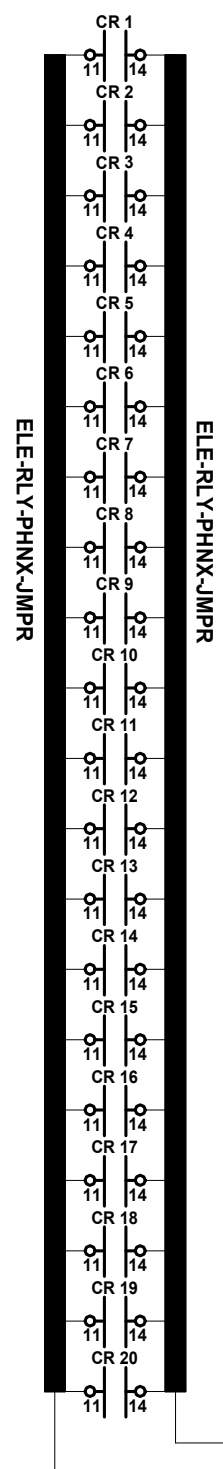
03			
02			
01	C.JH	Drawing released	5/26/22
REV	BY	DESCRIPTION	DATE

THIS DRAWING IS THE PROPERTY OF  
**INNOVATE IT**  
THIS DRAWING MUST NOT BE COPIED WITHOUT EXPRESS WRITTEN PERMISSION OF INNOVATE IT CAR WASH EQUIPMENT.  
DESIGN RIGHT  
ALL DESIGN RIGHTS RESERVED IN THIS DESIGN DOCUMENT ARE THE PROPERTY OF INNOVATE IT CAR WASH EQUIPMENT. THE DESIGN MUST NOT BE REPRODUCED WITHOUT EXPRESS WRITTEN PERMISSION OF INNOVATE IT CAR WASH EQUIPMENT.  
CONFIDENTIALITY  
THIS DRAWING MUST NOT BE DISCLOSED TO ANY THIRD PARTY WITHOUT THE EXPRESS WRITTEN PERMISSION OF INNOVATE IT CAR WASH EQUIPMENT.

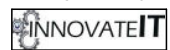
APPROVALS	DATE	INNOVATE IT CAR WASH EQUIPMENT	
DRAWN C.JH	5/26/22	PROJECT: 20F dispenseIt 24v (No SMC)	
CHKD		TITLE: Product Solenoids 17-20	
APPRVD		DRAWING NO: xxxx	
ENG. INFO	XXXX	SIZE: DO NOT SCALE DWG.	SCALE: NONE
		SHEET: PAGE 6 OF 7	REV:

01  
02  
03  
04  
05  
06  
07  
08  
09  
10  
11  
12  
13  
14  
15  
16  
17  
18  
19  
20  
21  
22  
23  
24  
25  
26  
27  
28  
29  
30  
31  
32  
33  
34

35  
36  
37  
38  
39  
40  
41  
42  
43  
44  
45  
46  
47  
48  
49  
50  
51  
52  
53  
54  
55  
56  
57  
58  
59  
60  
61  
62  
63  
64  
65  
66  
67  
68



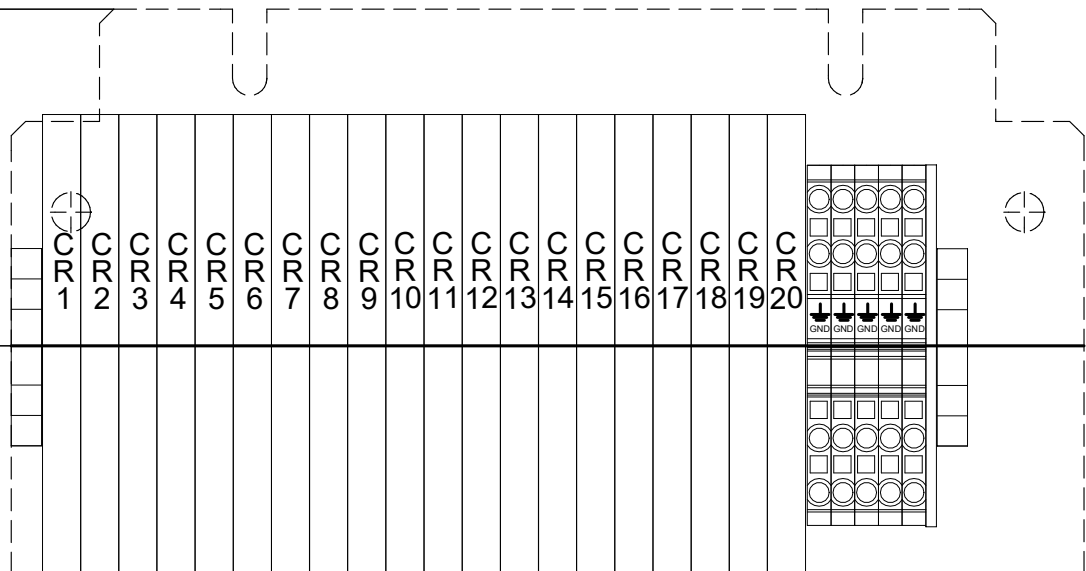
03			
02			
01	CJH	Drawing released	5/26/22
REV	BY	DESCRIPTION	DATE

THIS DRAWING IS THE PROPERTY OF		APPROVALS	DATE	INNOVATE IT CAR WASH EQUIPMENT
 THIS DRAWING MUST NOT BE COPIED WITHOUT EXPRESS WRITTEN PERMISSION OF INNOVATE IT CAR WASH EQUIPMENT. DESIGN RIGHT ALL DESIGN RIGHTS RECORDED IN THIS DESIGN DOCUMENT ARE THE PROPERTY OF INNOVATE IT CAR WASH EQUIPMENT. THE DESIGN MUST NOT BE REPRODUCED WITHOUT EXPRESS WRITTEN PERMISSION OF INNOVATE IT CAR WASH EQUIPMENT. CONFIDENTIALITY THIS DRAWING MUST NOT BE DISCLOSED TO ANY THIRD PARTY WITHOUT THE EXPRESS WRITTEN PERMISSION OF INNOVATE IT CAR WASH EQUIPMENT.		DRAWN	5/26/22	
		CHKD		PROJECT:
APPRVD		TITLE:	Control Relays 1-20	
ENG. INFO	XXXX	DRAWING NO:	xxxx	
DO NOT SCALE DWG.		SIZE:	SCALE:	SHEET:
			NONE	PAGE 7 OF 7
				REV:

# ELE-ENCL-12106-RITTAL

0"

2 3/4"



**DIN RAIL 8 7/8" (Qty 2)**

11/16"

